



INSTALLATION INSTRUCTIONS

0-25% Outside Air Package for York Prestige 3 - 12½ Tons

Gravity Backdraft Blade OAPRS25, OAPRL25

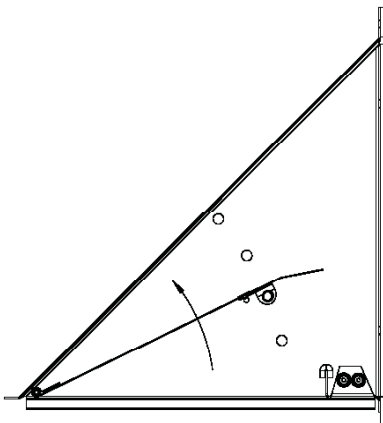
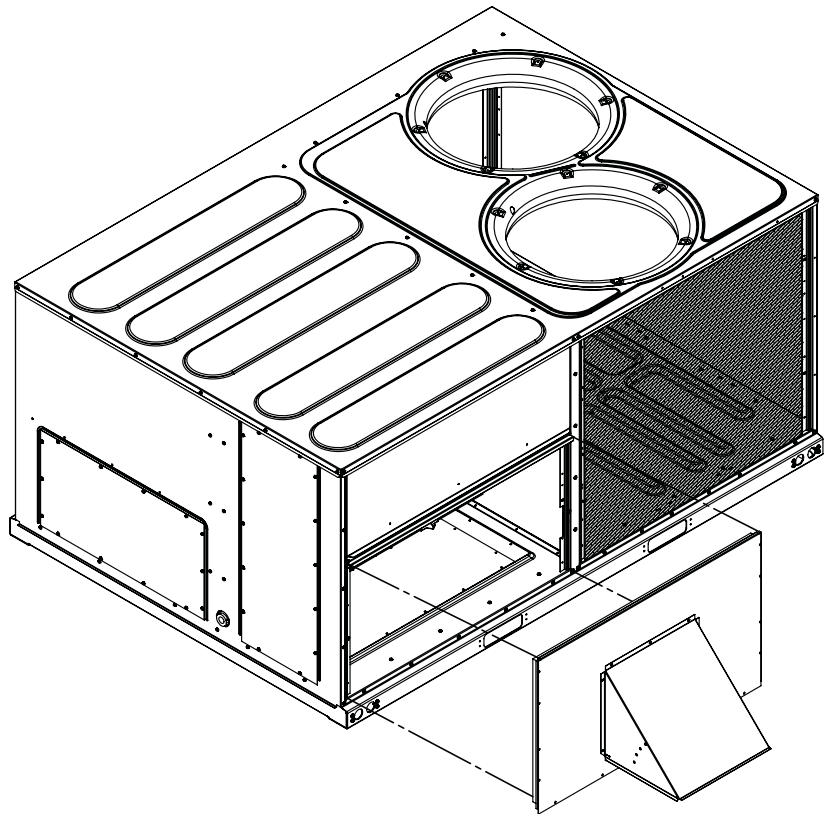
&

Manual Fixed Blade OAPRSF25, OAPRLF25

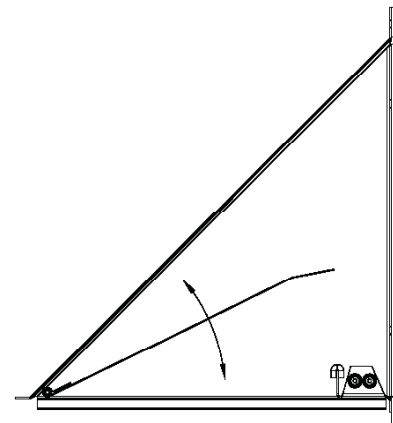
Instructions

1. Unpack hood and panel.
Attach hood to panel using screws set in prepunched holes in panel.
2. Remove "Bottom" cover panel from unit (ILL. 1).
3. Install new panel with hood using screws from factory provided cover panel.
4. Use same mounting position for horizontal configuration.

ILL. 1



Manual Fixed Blade Position Setpoint



Backdraft Blade