

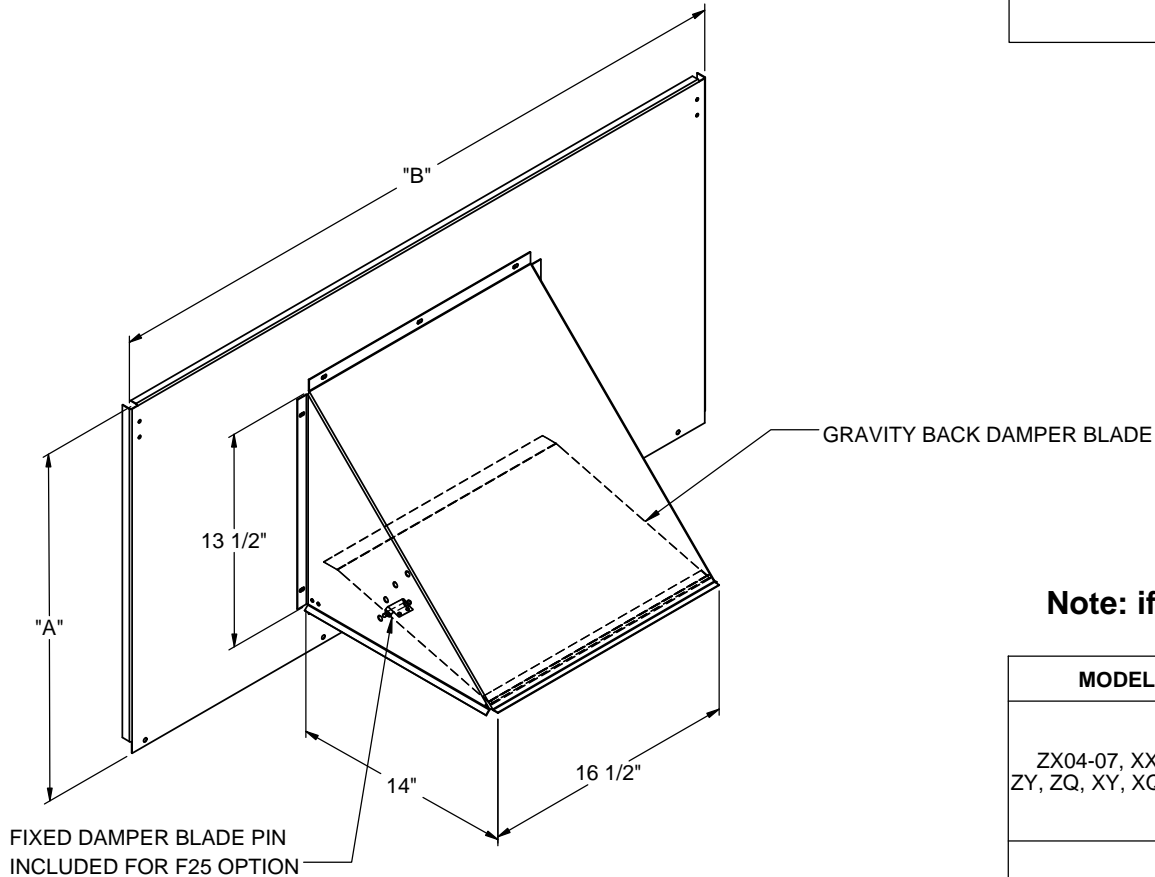
FEATURES:

- Painted hood and panels match factory specifications and color.
- Fully insulated panel (Insulation: 1"-1.5 lb. Density).

0 - 25% OUTSIDE AIR HOOD FOR YORK UNITS

XY04-09; ZX04-14; XXA7, XX08-12;
ZY04-12; XY04-09; ZQ, XQ04-07

MODEL	PROVENT P/N	A	B	EST. WEIGHT
ZX04-07, XXA7; ZY, ZQ, XY, XQ04-06	OAPRS25 (GRAVITY BACK)	19-7/16"	33-7/16"	22 Lbs.
	OAPRSF25 (FIXED BLADE)			
ZX08-14; XX08-12 ZY07-12; XY07-09	OAPRL25 (GRAVITY BACK)	24-5/16"	40-15/16"	24 Lbs.
	OAPRLF25 (FIXED BLADE)			



Note: if RTU has a hinged filter access option.

MODEL	PROVENT P/N	A	B	EST. WEIGHT
ZX04-07, XXA7; ZY, ZQ, XY, XQ04-06	OAPRS25H (GRAVITY BACK)	17-7/16"	33-7/16"	22 Lbs.
	OAPRSF25H (FIXED BLADE)			
ZX08-14; XX08-12 ZY07-12; XY07-09	OAPRL25H (GRAVITY BACK)	22-5/16"	40-15/16"	24 Lbs.
	OAPRLF25H (FIXED BLADE)			



3847 WABASH DRIVE
MIRA LOMA, CA 91752

PHONE (951) 685-1101
FAX (619) 872-9799

SUBMITTED TO: _____
COMPANY: _____
JOB NAME: _____
EQUIPMENT: _____
NOTES: _____

FORM NO:
OA-26

PART NUMBER:
-

DATE:
6/27/2018

REV:
1

DRAWN BY:
CNG