

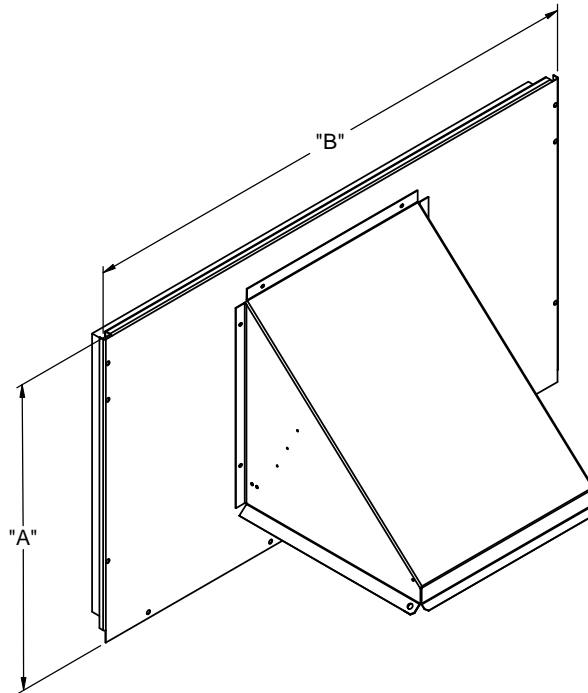
**FEATURES**

- Prepaint hood and panels matching factory specifications and color.
- Designed for unit mounted down or horizontal discharge. (End horizontal return requires duct mounted.)
- Includes screen assembly.
- Includes gravity backdraft damper.
- Insulated panel.
- Includes water entrainment filter.

**0-25% OUTSIDE AIR PACKAGE FOR YORK UNITS  
WITH WATER ENTRAINMENT FILTER ON O/A HOOD**

ZX/ZY 04-12; ZX 14

UNIT SIZE	PROVENT P/N	A	B	EST. WEIGHT
ZX 04-07 ZY04-06	OAPRS25FBC	14-17/32"	33-5/16"	23 Lbs.
ZX 08-14 ZY07-12	OAPRL25FBC	22-3/8	40-7/8"	25 Lbs.



3847 WABASH DRIVE  
MIRA LOMA, CA 91752

PHONE (951) 685-1101  
FAX (619) 872-9799

SUBMITTED TO: \_\_\_\_\_  
 COMPANY: \_\_\_\_\_  
 JOB NAME: \_\_\_\_\_  
 EQUIPMENT: \_\_\_\_\_  
 NOTES: \_\_\_\_\_

FORM NO:  
OA-27

PART NUMBER:  
-

DATE:  
5/2/2014

REV:  
-

DRAWN BY:  
FMM