

FEATURES:

- Painted hood and panel match factory color.
- Designed for unit mounted down discharge and duct mounted horizontal discharge.
- Includes gravity backdraft damper with fixed position option.
- Insulated panel.
- Includes (12-5/8" X 12-5/8" X 7/8") water entrainment filter.

0-35% OUTSIDE AIR HOOD WITH METAL FILTER FOR YORK UNITS

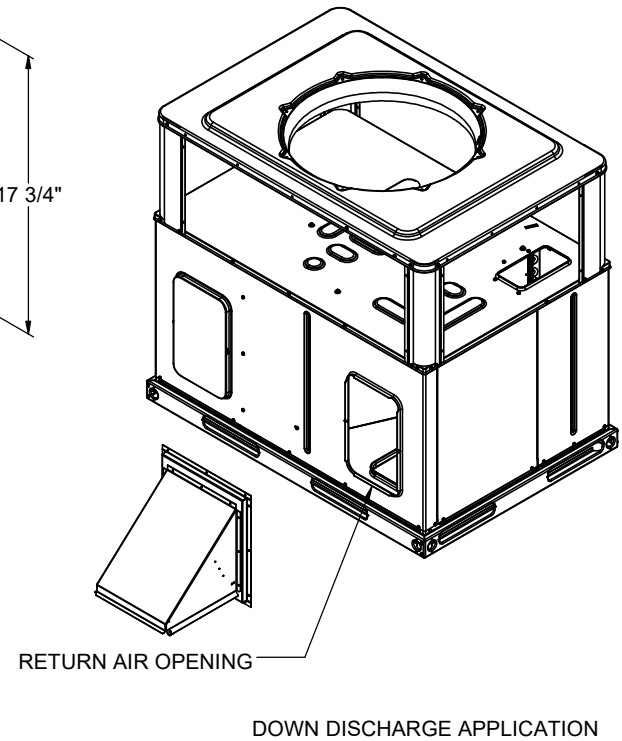
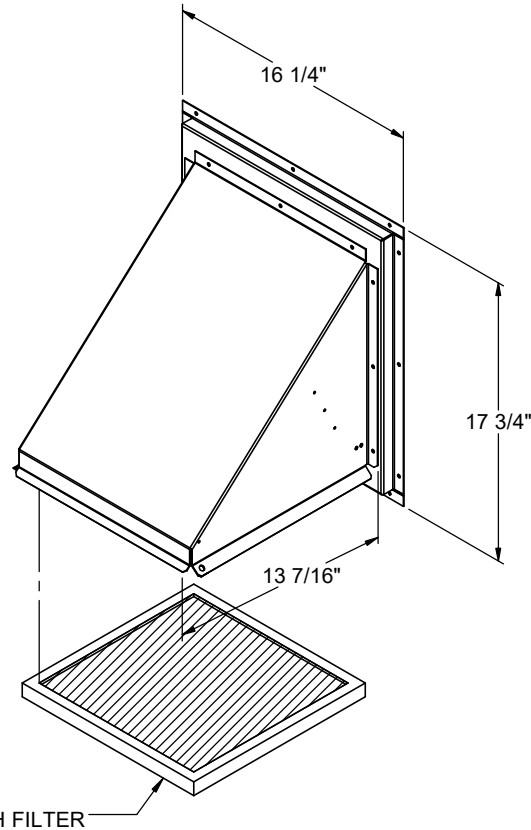
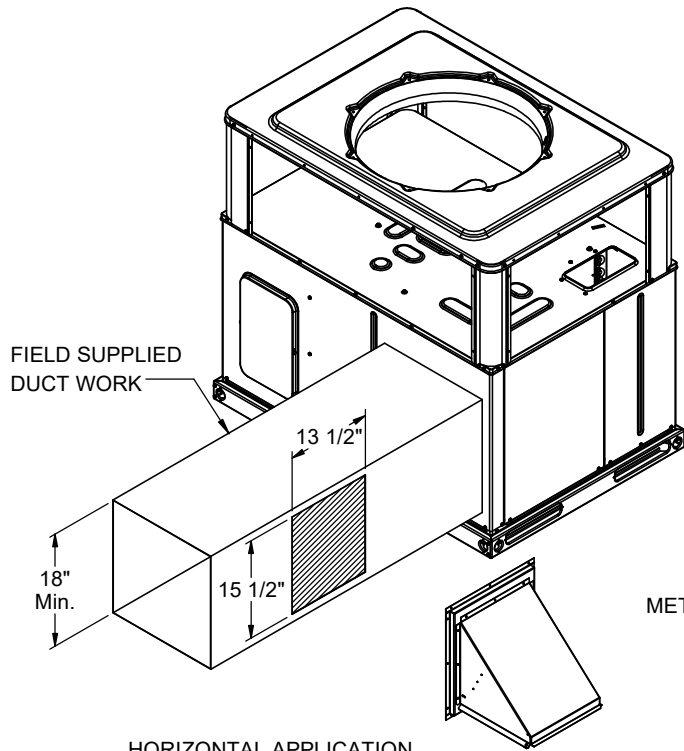
PG3E, PC3E, PCG4B, PCE4B 48-60; PCG6B, PCE6B, PHE4/6B, PHG4/6B 36-60

ProVent P/N

OALXL35FBC

WEIGHT

8 Lbs.



3847 WABASH DRIVE
MIRA LOMA, CA 91752

PHONE (951) 685-1101
FAX (619) 872-9799

SUBMITTED TO: _____
COMPANY: _____
JOB NAME: _____
EQUIPMENT: _____
NOTES: _____

FORM NO:

OA-36

DATE:
2/3/2025

REV:
2

DRAWN BY:
CNG