

**FEATURES:**

- Painted hood and panel match factory color.
- Designed for unit mounted down discharge and duct mounted horizontal discharge.
- Available in fixed position and gravity backdraft damper.
- Insulated panel.

**0-35% OUTSIDE AIR HOOD FOR YORK UNITS**

PG3E, PC3E, PCG4B, PCE4B 48-60; PCG6B, PCE6B, PHE4/6B, PHG4/6B 36-60

**ProVent P/N**

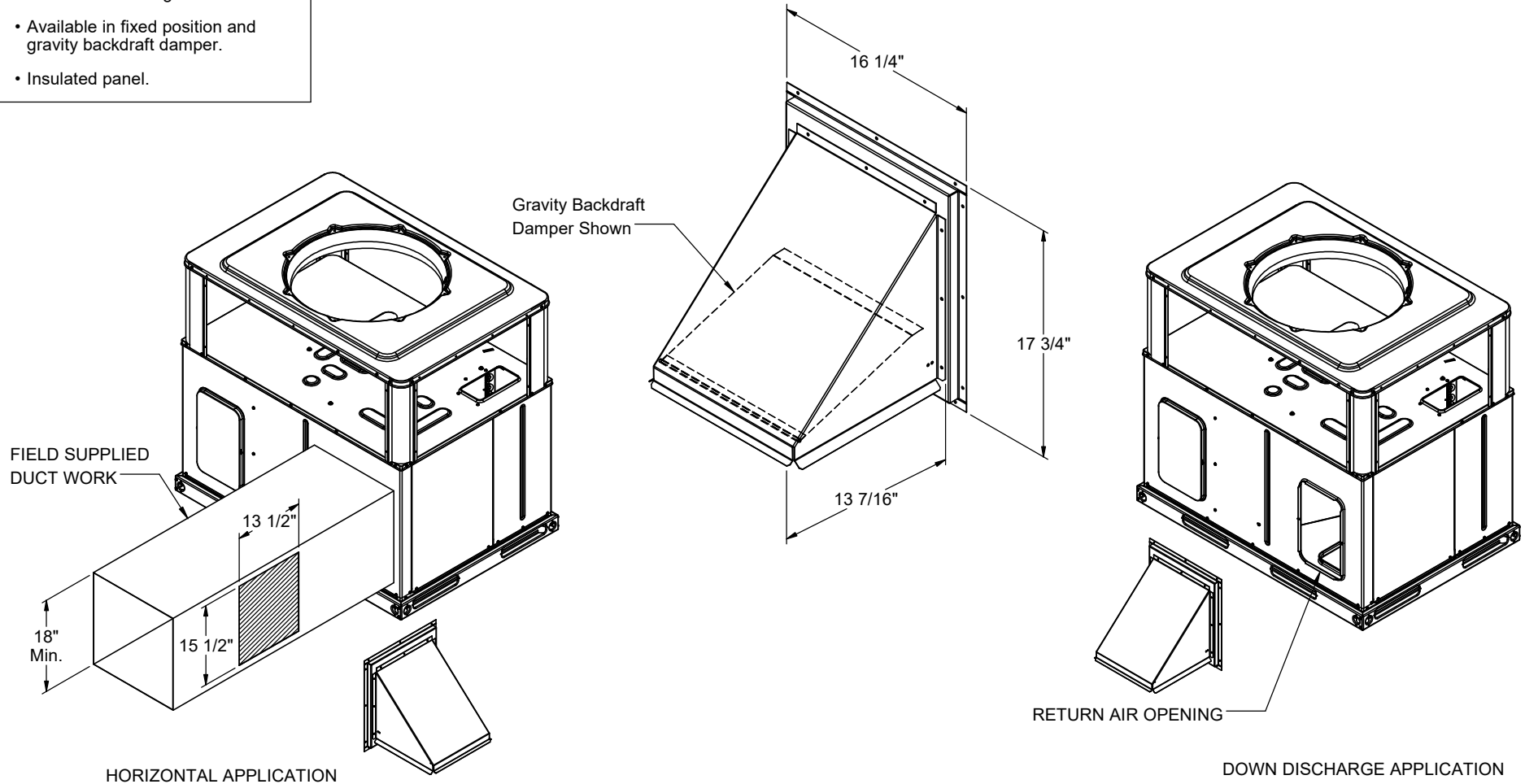
**WEIGHT**

OALXL35  
(Gravity Backdraft)

12 Lbs.

OALXLF35  
(Fixed Manual)

12 Lbs.



3847 WABASH DRIVE  
MIRA LOMA, CA 91752

PHONE (951) 685-1101  
FAX (619) 872-9799

SUBMITTED TO: \_\_\_\_\_  
 COMPANY: \_\_\_\_\_  
 JOB NAME: \_\_\_\_\_  
 EQUIPMENT: \_\_\_\_\_  
 NOTES: \_\_\_\_\_

FORM NO:

OA-34

DATE:  
1/17/2025

REV:  
2

DRAWN BY:  
CNG