

**FEATURES:**

- Painted hood and panel match factory color.
- Designed for unit mounted down discharge and duct mounted horizontal discharge.
- Includes gravity backdraft damper with fixed position option.
- Insulated panel.
- Includes (9-1/2" X 9-1/4" X 7/8") water entrainment filter.

**0-35% OUTSIDE AIR HOOD WITH METAL FILTER FOR YORK UNITS**

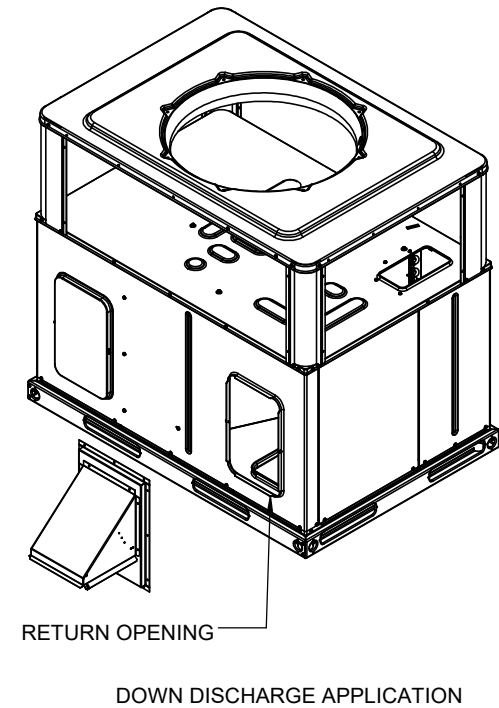
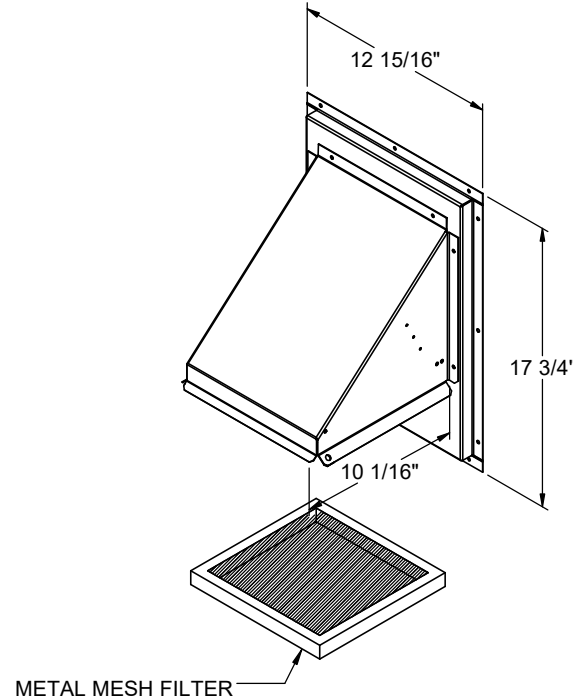
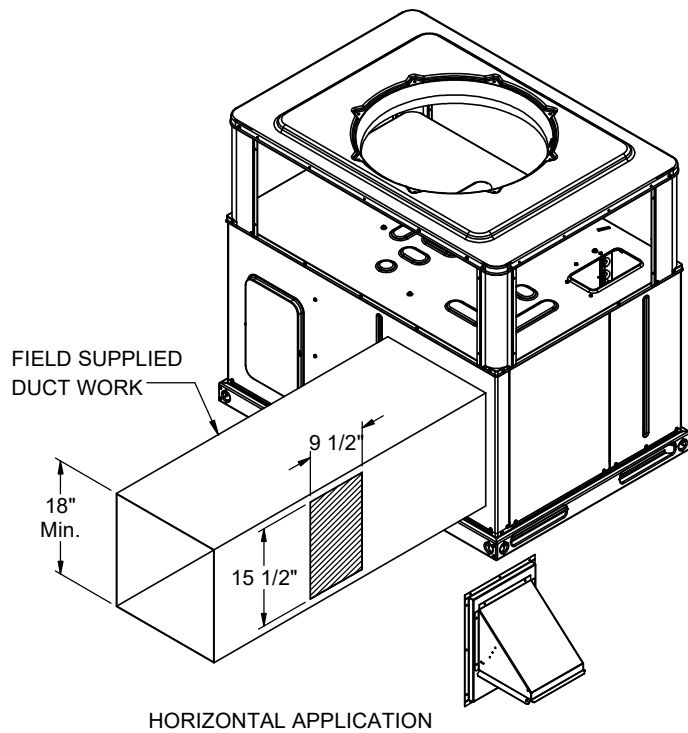
PG3E, PC3E, PCG4A, PCE4A 24-42; PCG6A, PCE6A, PHE4/6A, PHG4/6A 24-30

ProVent P/N

OALXS35FBC

WEIGHT

7 Lbs.



3847 WABASH DRIVE  
MIRA LOMA, CA 91752

PHONE (951) 685-1101  
FAX (619) 872-9799

SUBMITTED TO: \_\_\_\_\_  
COMPANY: \_\_\_\_\_  
JOB NAME: \_\_\_\_\_  
EQUIPMENT: \_\_\_\_\_  
NOTES: \_\_\_\_\_

FORM NO:

OA-37

DATE:  
2/3/2025

REV:  
2

DRAWN BY:  
CNG