

**FEATURES:**

- Painted hood and panel match factory color.
- Designed for unit mounted down discharge and duct mounted horizontal discharge.
- Available in fixed position and gravity backdraft damper.
- Insulated panel.

**0-35% OUTSIDE AIR HOOD FOR YORK UNITS**

PG3E, PC3E, PCG4A, PCE4A 24-42; PCG6A, PCE6A, PHE4/6A, PHG4/6A 24-30

**ProVent P/N**

**WEIGHT**

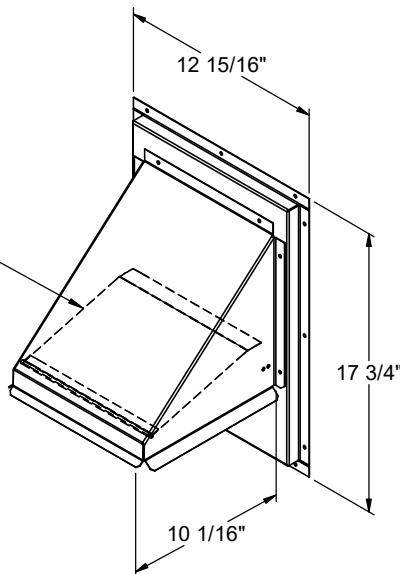
OALXS35  
(Gravity Backdraft)

9 Lbs.

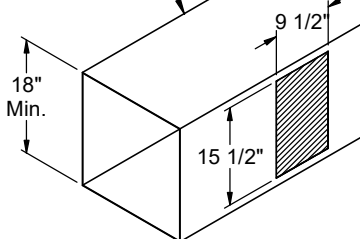
OALXS35  
(Fixed Manual)

9 Lbs.

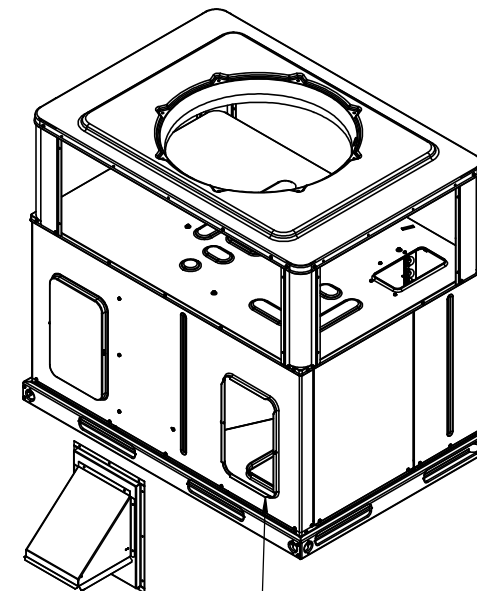
Gravity Backdraft  
Damper Shown



FIELD SUPPLIED  
DUCT WORK



HORIZONTAL APPLICATION



RETURN OPENING

DOWN DISCHARGE APPLICATION



3847 WABASH DRIVE  
MIRA LOMA, CA 91752

PHONE (951) 685-1101  
FAX (619) 872-9799

SUBMITTED TO: \_\_\_\_\_  
COMPANY: \_\_\_\_\_  
JOB NAME: \_\_\_\_\_  
EQUIPMENT: \_\_\_\_\_  
NOTES: \_\_\_\_\_

FORM NO:  
OA-35

DATE:  
1/17/2025

REV:  
2

DRAWN BY:  
CNG