

FEATURES

- Includes fully modulating economizer. (See Form ECO-200 for Economizer Specs).
- CO2 controller standard on economizer. Space or duct mounted CO2 sensor provided as option:
 - CO2WM - Wall Mount With LED
 - CO2DM - Duct Mount
- LEED economizer option.
- Access for motor, blower, and blower drives.
- Adjustable motor sheave.
- Motor with automatic internal thermal protection.
- Modulating option includes fully programmable (factory set) variable frequency drive controlled by a differential pressure transducer designed to continuously monitor space pressure.

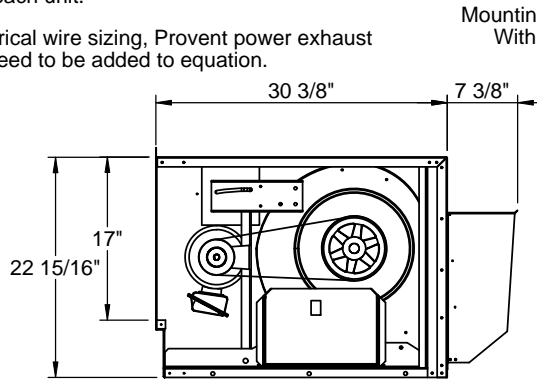
HORIZONTAL DISCHARGE CENTRIFUGAL POWER EXHAUST ECONOMIZER FOR YORK UNITS

**ZF/ZH/ZR 078, 090;
DH 078-102; DF/DM 090, 102; BP 090**

VOLTAGE	External Static (in. W.G)				FLA	Hp	Wt
	0.1	0.2	0.3	0.4			
230V/3Ph	3,300 cfm	3,090 cfm	2,930 cfm	2,685 cfm	3.2	1	228 Lbs. (Includes Economizer)
460V/3Ph					1.6		

PLEASE NOTE:

1. Return air duct, dampers, return air grills are specific for each unit.
2. For proper electrical wire sizing, Provent power exhaust full load amps need to be added to equation.



NOTE:
If drive components are required on other side (RT) please specify when ordering.



Only Ruskin Company Model CD-60 is AMCA Certified

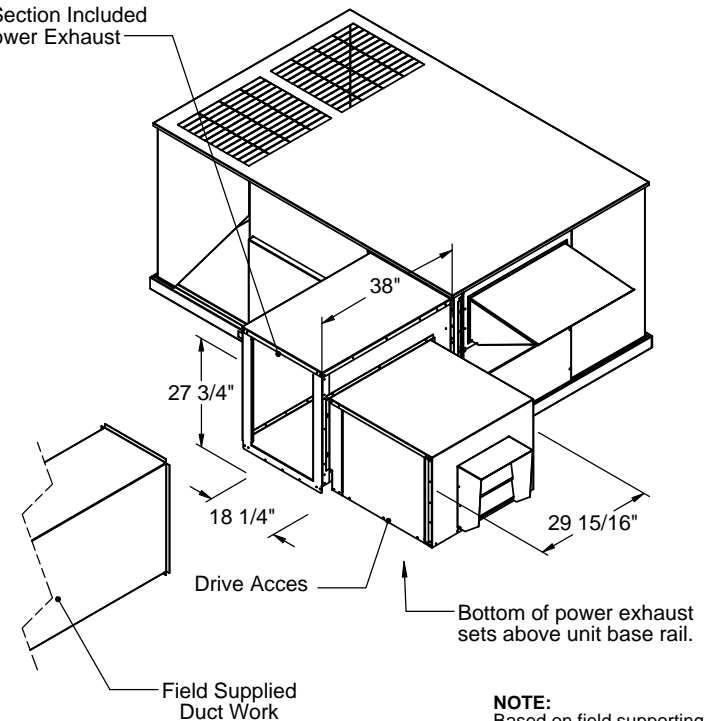
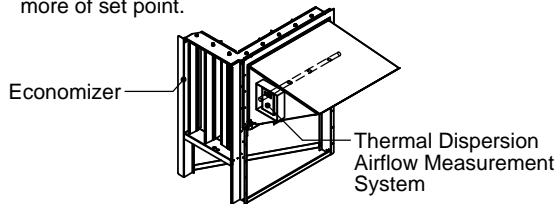
ProVent P/N

CONSTANT VOLUME	MODULATING
PEHCPRDSCDB25C 208/230V 3Ph Selectable Dry Bulb	PEHCPRDSCDB25M 208/230V 3Ph Selectable Dry Bulb
PEHCPRDSCEN25C 208/230V 3Ph Enthalpy	PEHCPRDSCEN25M 208/230V 3Ph Enthalpy
PEHCPRDSCDB46C 460V 3Ph Selectable Dry Bulb	PEHCPRDSCDB46M 460V 3Ph Selectable Dry Bulb
PEHCPRDSCEN46C 460V 3Ph Enthalpy	PEHCPRDSCEN46M 460V 3Ph Enthalpy

Note: For factory installed LEED economizer / power exhaust option, part number, FLOWECPRD3715, must be added.

LEED ECONOMIZER / POWER EXHAUST OPTION

- ProVent P/N: FLOWECPRD3715
- Outside air measurement for dilution utilizing thermal dispersion technology and ASHRAE 62.1 compliant. Provides LEED credit by supplying feedback on ventilation system performance ensuring that the ventilation system maintains design requirements.
- Factory installed onto economizer/power exhaust standard.
- Provides analog outputs for BMS, visual or audible alert, and generates an alarm when conditions vary by 10% or more of set point.



NOTE:
Based on field supporting of duct, P.E. may require additional field support.



3847 WABASH DR.
MIRA LOMA, CA 91725

PHONE (951) 685-1101
FAX (619) 872-9799

SUBMITTED TO: _____
COMPANY: _____
JOB NAME: _____
EQUIPMENT: _____
NOTES: _____

FORM NO:
PE-04

DATE:
7/23/2014

PART NUMBER:
PEHCPRDSC SERIES

REV:
11

DRAWN BY:
CNG