

FEATURES

- Modulating option includes fully programmable (factory set) variable frequency drive controlled by a differential pressure transducer designed to continuously monitor space pressure.
- Access door for motor, blower, and blower drives.
- Adjustable motor sheave.
- Motor with automatic internal thermal protection.

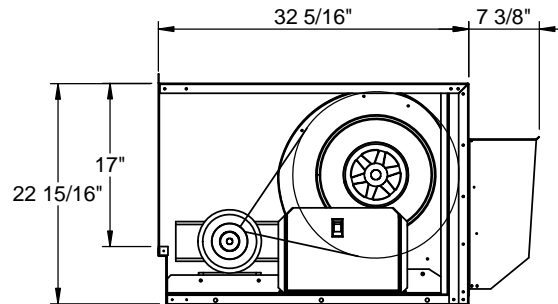
HORIZONTAL DISCHARGE CENTRIFUGAL POWER EXHAUST FOR YORK CORE UNITS

ZX 07; XQ, XY, ZY, ZL 05-06; ZQ 06; XXA7, ZXA7

VOLTAGE	External Static (in. W.G)				FLA	Hp	Wt
	0.1	0.2	0.3	0.4			
230V/3Ph	2,400 cfm	2,200 cfm	2,000 cfm	1,800 cfm	3.2	1	157 Lbs.
460V/3Ph					1.6		

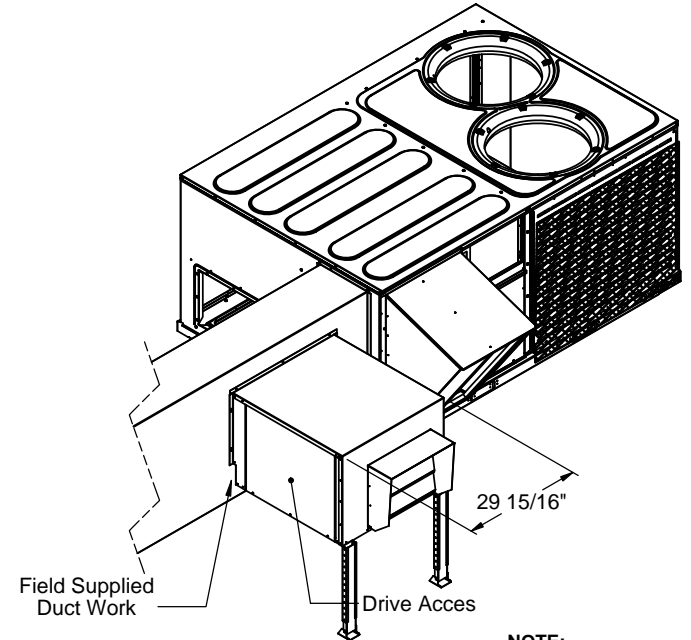
PLEASE NOTE:

1. Return air duct, dampers, return air grills are specific for each unit.
2. For proper electrical wire sizing, Provent power exhaust full load amps need to be added to equation.



NOTE:
If drive components are required on other side (RT) please specify when ordering.

ProVent P/N	
CONSTANT VOLUME	MODULATING
PEH CPRST06C 208/230V 1Ph	PEH CPRST06M 208/230V 1Ph
PEH CPRST25C 208/230V 3Ph	PEH CPRST25M 208/230V 3Ph
PEH CPRST46C 460V 3Ph	PEH CPRST46M 460V 3Ph



NOTE:
Based on field supporting of duct, P.E. may require additional field support.



3847 WABASH DR.
MIRA LOMA, CA 91725

PHONE (951) 685-1101
FAX (619) 872-9799

SUBMITTED TO: _____
COMPANY: _____
JOB NAME: _____
EQUIPMENT: _____
NOTES: _____

FORM NO:
PE-142

DATE:
3/6/2018

PART NUMBER:
PEH CPRST SERIES

REV:
M

DRAWN BY:
CNG