

FEATURES

- Modulating option includes fully programmable (factory set) variable frequency drive controlled by a differential pressure transducer designed to continuously monitor space pressure.
- Access door for motor, blower, and blower drives.
- Adjustable motor sheave.
- Motor with automatic internal thermal protection.

HORIZONTAL DISCHARGE CENTRIFUGAL POWER EXHAUST FOR YORK CORE UNITS

ZX 09-14; XY 08-09; ZY 08-12; XX 08-12; ZL 08-14

VOLTAGE	External Static (in. W.G)				FLA	Hp	Wt
	0.1	0.2	0.3	0.4			
230V/3Ph	4,750 cfm	4,600 cfm	4,500 cfm	4,400 cfm	5.6	2	152 Lbs.
460V/3Ph					2.8		

ProVent P/N

CONSTANT VOLUME

MODULATING

PEHCPRLT25C
208/230V 3Ph

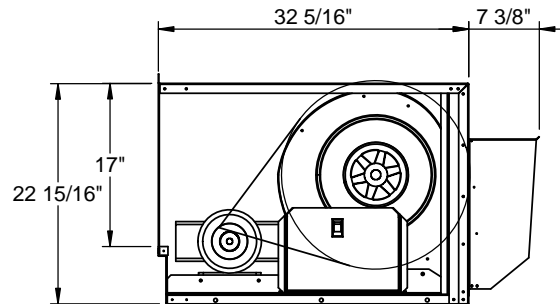
PEHCPRLT25M
208/230V 3Ph

PEHCPRLT46C
460V 3Ph

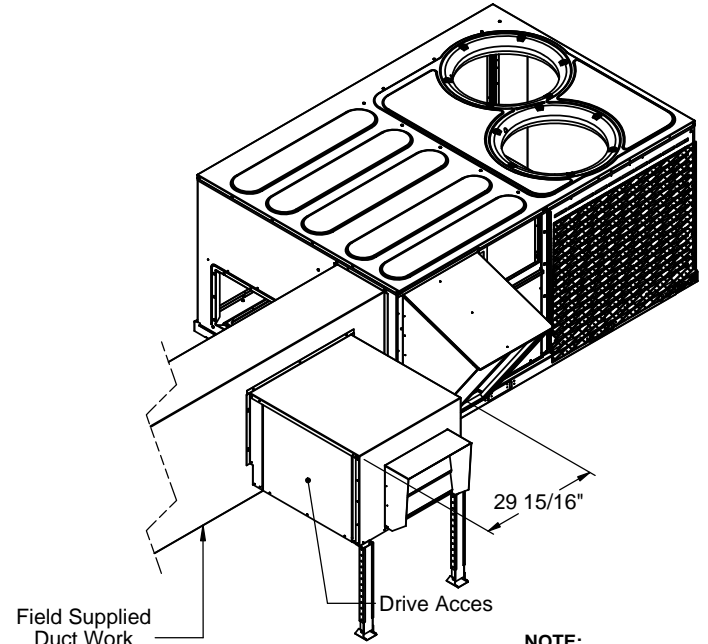
PEHCPRLT46M
460V 3Ph

PLEASE NOTE:

1. Return air duct, dampers, return air grills are specific for each unit.
2. For proper electrical wire sizing, Provent power exhaust full load amps need to be added to equation.



NOTE:
If drive components are required on other side (RT) please specify when ordering.



NOTE:
Based on field supporting of duct, P.E. may require additional field support.



3847 WABASH DR.
MIRA LOMA, CA 91725

PHONE (951) 685-1101
FAX (619) 872-9799

SUBMITTED TO: _____
COMPANY: _____
JOB NAME: _____
EQUIPMENT: _____
NOTES: _____

FORM NO:
PE-143

DATE:
4/21/2023

PART NUMBER:
PEHCPRLT SERIES

REV:
M

DRAWN BY:
CNG