

FEATURES

- Modulating option includes fully programmable (factory set) variable frequency drive controlled by a differential pressure transducer designed to continuously monitor space pressure.
- Access door for motor, blower, and blower drives.
- Adjustable motor sheave.
- Motor with automatic internal thermal protection.

HORIZONTAL DISCHARGE CENTRIFUGAL POWER EXHAUST FOR YORK CORE UNITS

ZX 08; XY, ZY 07; XYA7, ZYA7

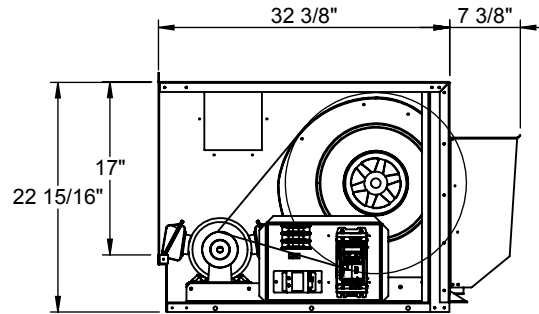
VOLTAGE	External Static (in. W.G)				FLA	Hp	Wt
	0.1	0.2	0.3	0.4			
230V/3Ph	2,640 cfm	2,472 cfm	2,344 cfm	2,146 cfm	3.2	1	152 Lbs.
460V/3Ph					1.6		

ProVent P/N

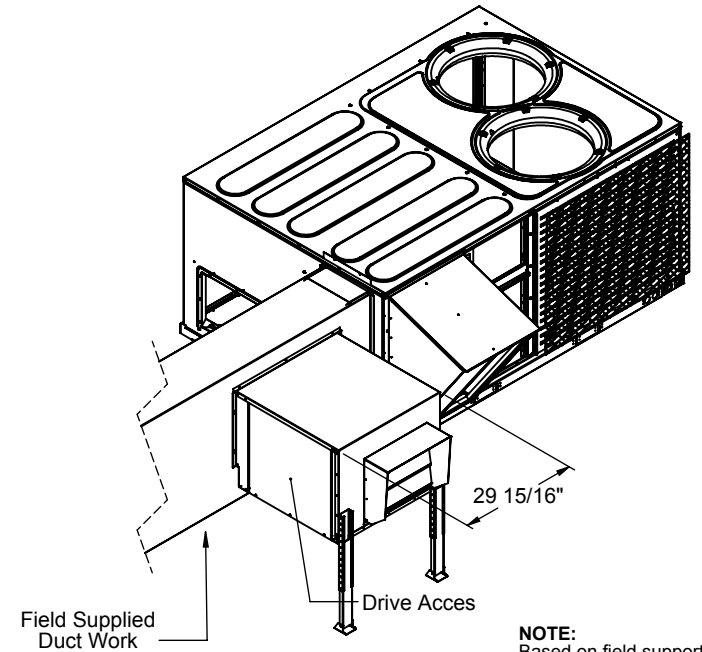
CONSTANT VOLUME	MODULATING
PEHCPRLS25C 208/230V 3Ph	PEHCPRLS25M 208/230V 3Ph
PEHCPRLS46C 460V 3Ph	PEHCPRLS46M 460V 3Ph

PLEASE NOTE:

1. Return air duct, dampers, return air grills are specific for each unit.
2. For proper electrical wire sizing, Provent power exhaust full load amps need to be added to equation.



NOTE:
If drive components are required on other side (RT) please specify when ordering.



NOTE:
Based on field supporting of duct, P.E. may require additional field support.



3847 WABASH DR.
MIRA LOMA, CA 91725

PHONE (951) 685-1101
FAX (619) 872-9799

SUBMITTED TO: _____
COMPANY: _____
JOB NAME: _____
EQUIPMENT: _____
NOTES: _____

FORM NO:
PE-54

DATE:
2/18/2019

PART NUMBER:
PEHCPRLS SERIES

REV:
M

DRAWN BY:
CNG