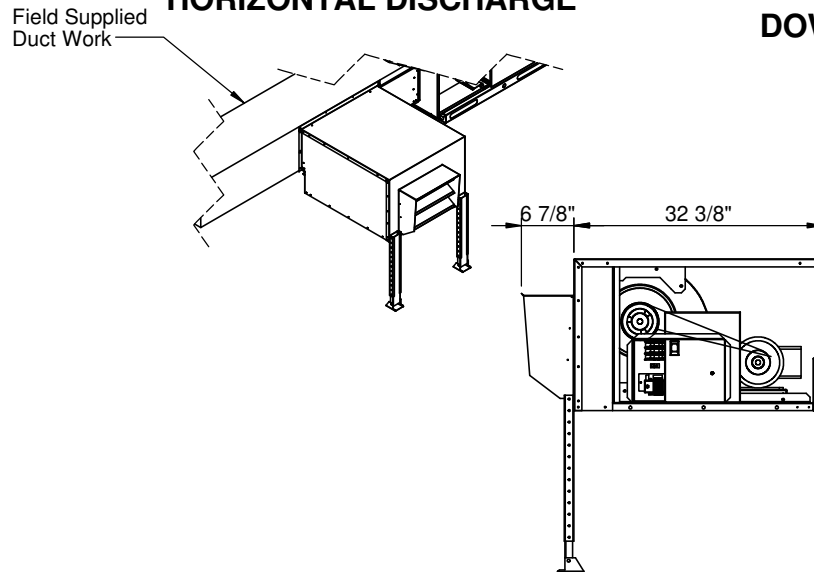


<p>FEATURES</p> <ul style="list-style-type: none"> • Access for motor, blower, and blower drives. • Adjustable motor sheave. • Motor with automatic internal thermal protection. • Modulating option includes fully programmable (factory set) variable frequency drive controlled by a differential pressure transducer designed to continuously monitor space pressure. 	<p>CENTRIFUGAL POWER EXHAUST FOR YORK UNITS</p>							<p>ProVent P/N</p>			
	<p>ZE, ZR, XN, XP 036-060 ZE, ZF 036-072</p>							<p>CONSTANT VOLUME</p>		<p>MODULATING</p>	
								<p>PECCSUN367206C 208/230V 1Ph</p>		<p>PECCSUN36706M 208/230V 1Ph</p>	
								<p>PECCSUN367225C 208/230V 3Ph</p>		<p>PECCSUN367225M 208/230V 3Ph</p>	
								<p>PECCSUN367246C 460V 3Ph</p>		<p>PECCSUN367246M 460V 3Ph</p>	
<p>VOLTAGE</p>		<p>External Static (in. W.G)</p>				<p>FLA</p>	<p>Hp</p>	<p>Wt</p>			
208/230V, 1Ph		0.1	0.2	0.3	0.4	7.0	1	132 Lbs.			
230V, 3Ph		2,400 cfm	2,200 cfm	2,000 cfm	1,800 cfm	3.2					
460V, 3Ph						1.6					

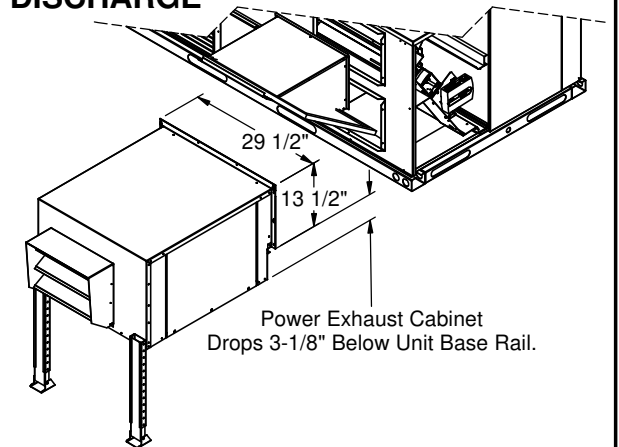
PLEASE NOTE:

1. Return air duct, dampers, return air grills are specific for each unit.
2. For proper electrical wire sizing, Provent power exhaust full load amps need to be added to equation.

HORIZONTAL DISCHARGE



DOWN DISCHARGE



3847 WABASH DR.
MIRA LOMA, CA 91725

PHONE (951) 685-1101
FAX (619) 872-9799

SUBMITTED TO: _____
 COMPANY: _____
 JOB NAME: _____
 EQUIPMENT: _____
 NOTES: _____

FORM NO:

DATE:
12/5/2022

PART NUMBER:
PECCSUN3672

REV:
M

DRAWN BY:
CNG