



**FEATURES**

- CA Title 24 Compliant.
- Direct coupled style actuator standard.
- Stainless steel damper side seals.
- **AMCA certified CD-60 Airfoil dampers blades.**
- **Meets leakage rate as required by ASHRAE 90.1.**
- External linkage system.
- Mechanically secured outside air intake filter.
- Capable of introducing up to 100% outdoor air.
- Relief hood provided for horizontal duct mount.
- Metal Filter 19"x 16"x 1" included.

**FEATURES (When Ordered With Control Options)**

- Fully modulating damper controls with enthalpy, dry bulb and differential temperature sensor options.
- Selectable economizer changeover temperature set point.
- CO2 controller standard.

Wall or duct mounted CO2 sensor provided as option:

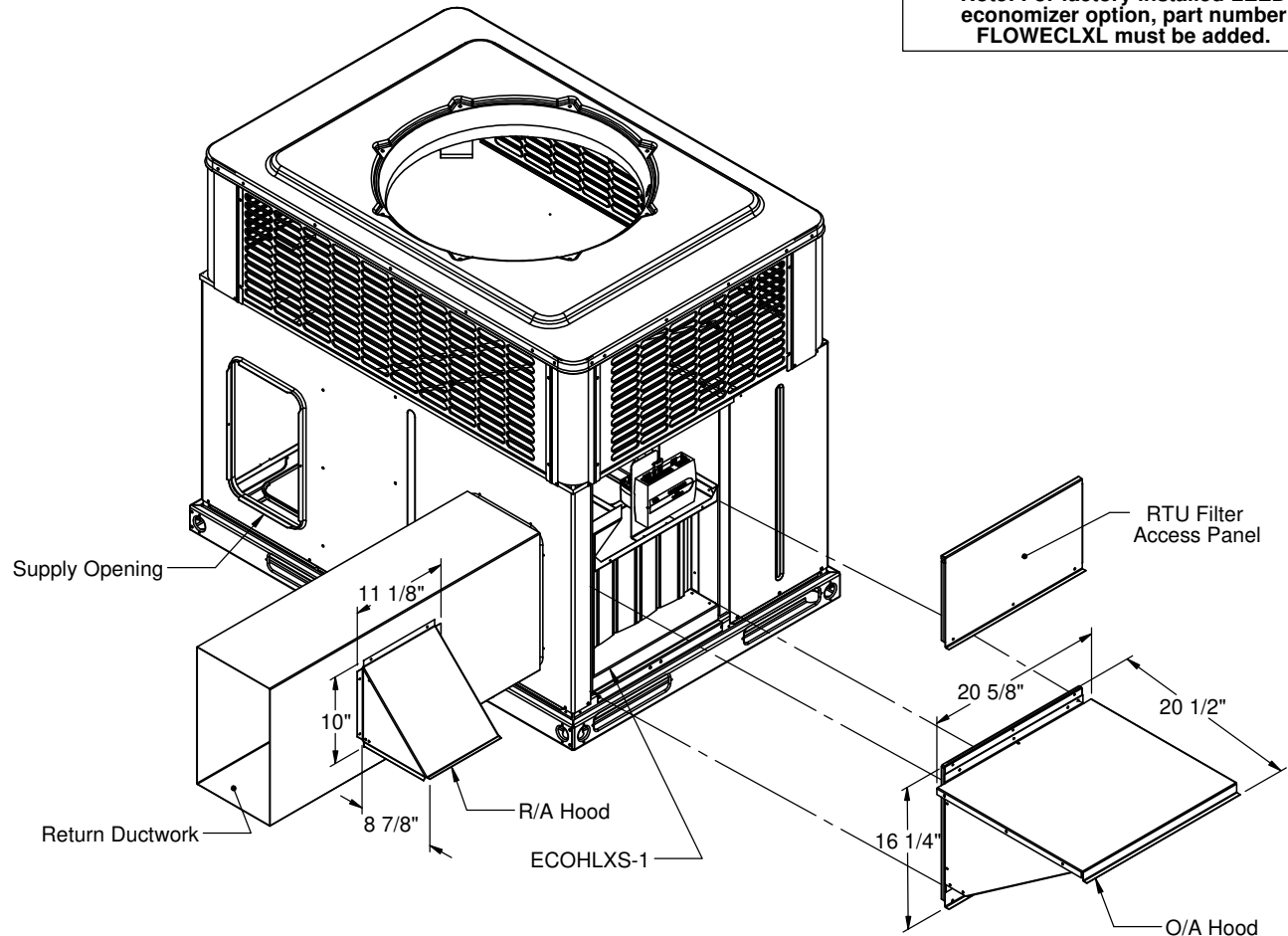
- CO2WM - Wall Mount
- CO2DM - Duct Mount



**HORIZONTAL ECONOMIZER WITH BAROMETRIC RELIEF FOR YORK UNITS**

P\*\*\*A CABINETS

ProVent P/N	Wt.
ECOHLXSAC1 (Actuator Only, 2-10 VDC)	39 Lb.
ECOHLXSDB1 (Fully Modulating Dry Bulb)	
ECOHLXSEN1 (Fully Modulating Enthalpy)	
<b>Note: For factory installed LEED economizer option, part number FLOWECLXL must be added.</b>	



3847 WABASH DRIVE  
MIRA LOMA, CA 91725

PHONE (951) 685-1101  
FAX (619) 872-9799

SUBMITTED TO: \_\_\_\_\_  
COMPANY: \_\_\_\_\_  
JOB NAME: \_\_\_\_\_  
EQUIPMENT: \_\_\_\_\_  
NOTES: \_\_\_\_\_

FORM NO:

-

DATE:  
3/22/2021

PART NUMBER:

ECOHLXS-1 Serie

REV:  
M1

DRAWN BY:  
CNG