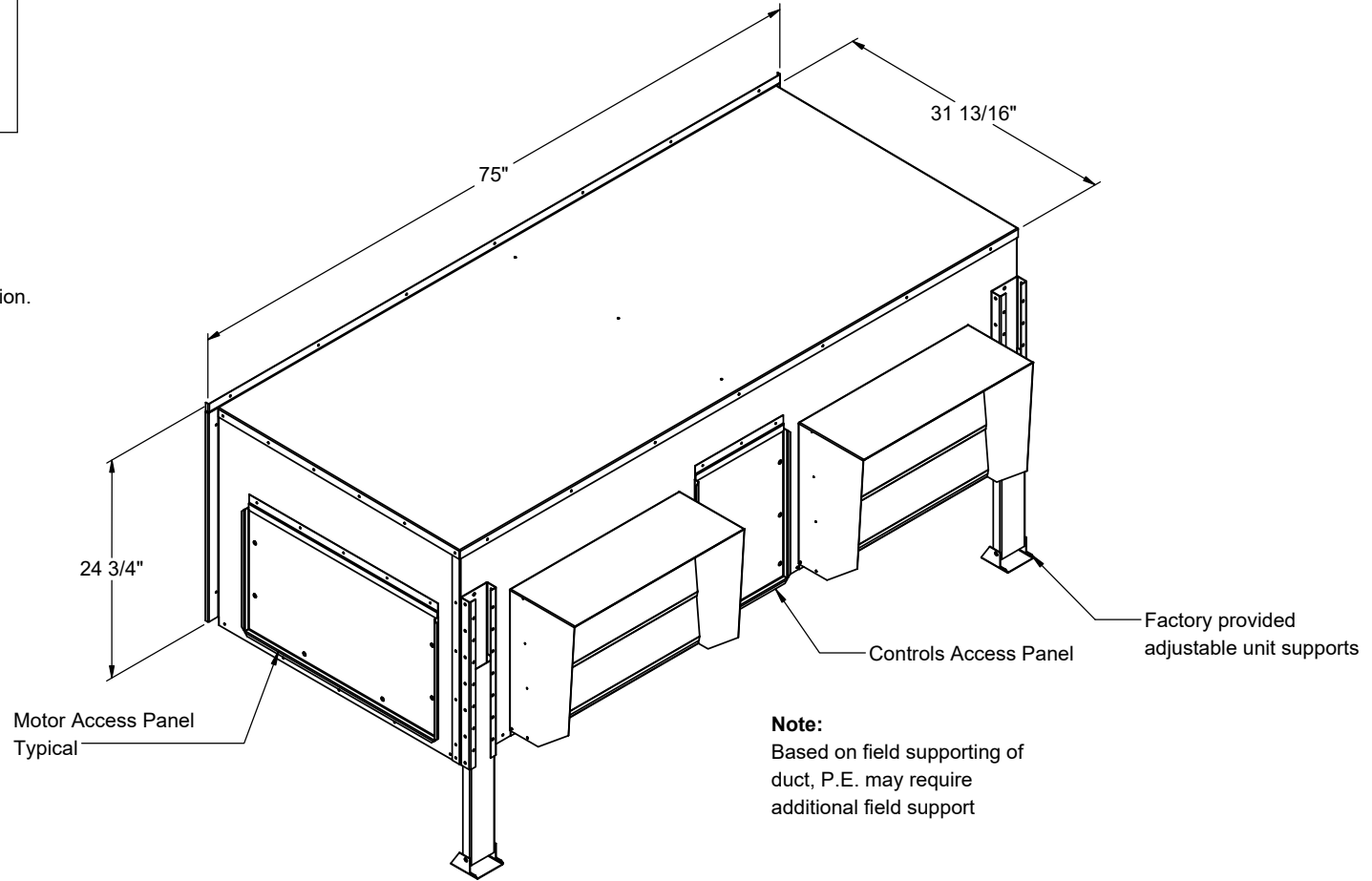



FEATURES	DOWN DISCHARGE CENTRIFUGAL POWER EXHAUST FOR SUN CHOICE UNITS						ProVent P/N		Est. Wt.		
	25-27.5 TON						CONSTANT VOLUME 2 STAGE	MODULATING			
	VOLTAGE	ProVent P/N	External Static (in. W.G)				FLA	Hp			
<ul style="list-style-type: none"> Constant volume factory set for 2 stage. Modulating option includes fully programmable (factory set) variable frequency drive controlled by a differential pressure transducer designed to continuously monitor space pressure. Access door for motor, blower, and blower drives. Adjustable motor sheave. Motor with automatic internal thermal protection. 	230V/3Ph	PEDCSAV252825CS PEDCSAV252825MS	0.1	0.25	0.375	0.5	11.2	4 Hp Total (Qty. 2, 2 Hp)	PEDCSAV252825CS 208/230V 3Ph	PEDCSAV252825MS 208/230V 3Ph	390 Lbs.
	460V/3Ph	PEDCSAV252846CS PEDCSAV252846MS	10,400 cfm	10,000 cfm	9,500 cfm	8,600 cfm	5.6		PEDCSAV252846CS 460V 3Ph	PEDCSAV252846MS 460V 3Ph	

- PLEASE NOTE:**
- Return air duct, dampers, return air grills are specific for each unit.
 - For proper electrical wire sizing, Provent power exhaust full load amps need to be added to equation.



	3847 WABASH DRIVE MIRA LOMA, CA 91725 PHONE (951) 685-1101 FAX (619) 872-9799	SUBMITTED TO: _____ COMPANY: _____ JOB NAME: _____ EQUIPMENT: _____ NOTES: _____	FORM NO: PE-50 DATE: 3/14/2023	PART NUMBER: PEDCSAV2528 SERIES REV: 1 DRAWN BY: CNG
--	--	---	---	--