

FEATURES

- Includes fully modulating economizer.
- **AMCA certified CD-60 Airfoil O/A dampers blades.**
- **Meets leakage rate as required by ASHRAE 90.1.**
- **CD-60 Airfoil R/A damper blades.**
- Modulating option includes fully programmable (factory set) variable frequency drive controlled by a differential pressure transducer designed to continuously monitor space pressure.
- CO2 controller standard on economizer. Space or duct mounted CO2 sensor provided as option:
 - CO2WM - Wall Mount With LED
 - CO2DM - Duct Mount
- Access door for motor, blower, and blower drives.
- Adjustable motor sheave.
- Motor with automatic internal thermal protection.



Only Ruskin Company Model CD-60 is AMCA Certified

HORIZONTAL DISCHARGE CENTRIFUGAL POWER EXHAUST ECONOMIZER FOR YORK PRESTIGE UNITS

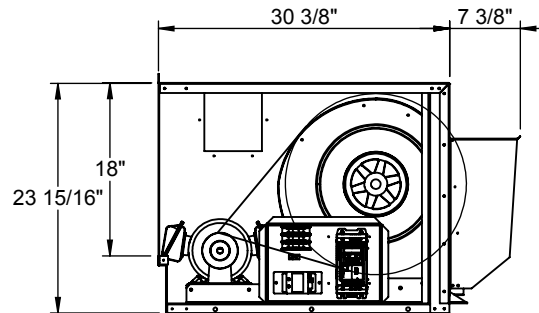
ZX 08; XY, ZY 07

VOLTAGE	External Static (in. W.G)				FLA	Hp	Wt
	0.1	0.2	0.3	0.4			
230V/3Ph	2,640 cfm	2,472 cfm	2,344 cfm	2,146 cfm	3.2	1	248 Lbs. (Includes Economizer)
460V/3Ph					1.6		

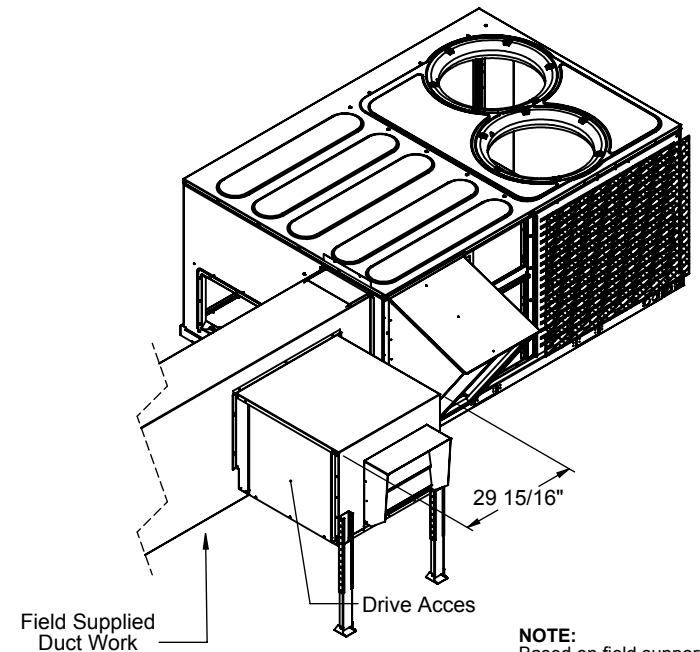
ProVent P/N	
CONSTANT VOLUME	MODULATING
PEHCPRLSDB25C 208/230V 3Ph Selectable Dry Bulb	PEHCPRLSDB25M 208/230V 3Ph Selectable Dry Bulb
PEHCPRLSEN25C 208/230V 3Ph Enthalpy	PEHCPRLSEN25M 208/230V 3Ph Enthalpy
PEHCPRLSDB46C 460V 3Ph Selectable Dry Bulb	PEHCPRLSDB46M 460V 3Ph Selectable Dry Bulb
PEHCPRLSEN46C 460V 3Ph Enthalpy	PEHCPRLSEN46M 460V 3Ph Enthalpy

PLEASE NOTE:

1. Return air duct, dampers, return air grills are specific for each unit.
2. For proper electrical wire sizing, Provent power exhaust full load amps need to be added to equation.



NOTE:
If drive components are required on other side (RT) please specify when ordering.



NOTE:
Based on field supporting of duct, P.E. may require additional field support.



3847 WABASH DR.
MIRA LOMA, CA 91725

PHONE (951) 685-1101
FAX (619) 872-9799

SUBMITTED TO: _____
 COMPANY: _____
 JOB NAME: _____
 EQUIPMENT: _____
 NOTES: _____

FORM NO:
PE-54

DATE:
7/21/2016

PART NUMBER:
PEHCPRLS SERIES

REV:
4

DRAWN BY:
ALL