

FEATURES

- Includes fully modulating economizer. (See Form ECO-90 for Economizer Specs).
- CO2 controller standard on economizer. Space or duct mounted CO2 sensor provided as option:
 - CO2WM - Wall Mount With LED
 - CO2DM - Duct Mount
- Access for motor, blower, and blower drives.
- Adjustable motor sheave.
- Motor with automatic internal thermal protection.
- Modulating option includes fully programmable (factory set) variable frequency drive controlled by a differential pressure transducer designed to continuously monitor space pressure.

DOWN DISCHARGE CENTRIFUGAL POWER EXHAUST ECONOMIZER FOR YORK PRESTIGE UNITS

XY 07-09; ZX 08-14; ZY 07-12; XX08-12

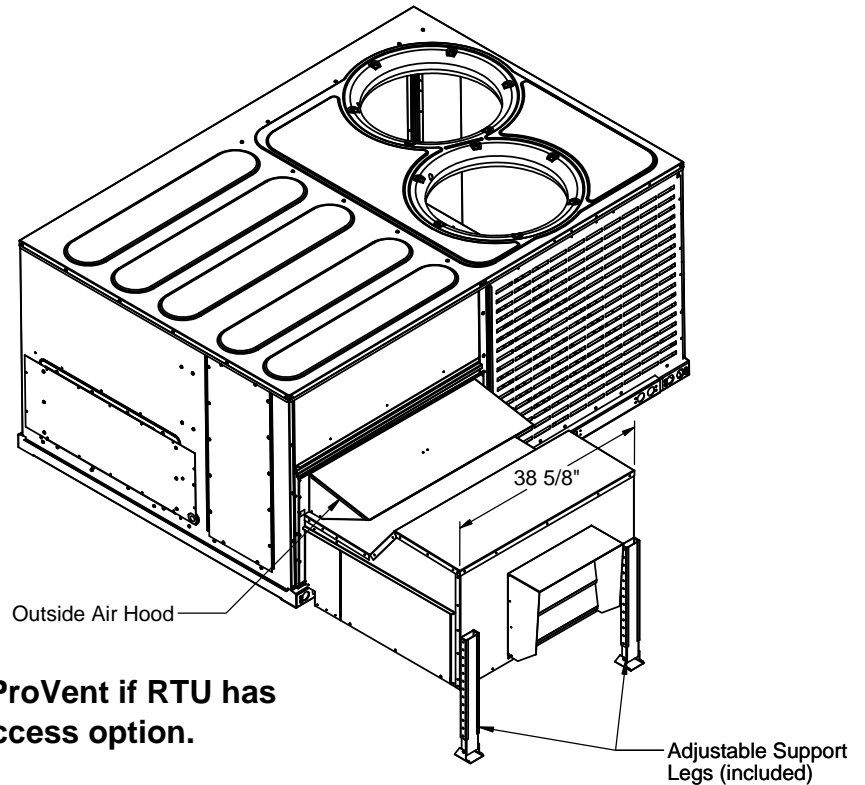
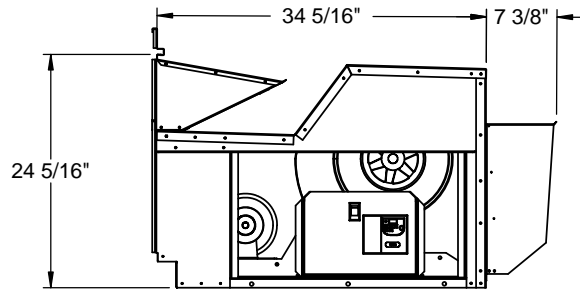
VOLTAGE	External Static (in. W.G)				FLA	Hp	Est. Wt
	0.1	0.2	0.3	0.4			
230V/3Ph	4,400 cfm	4,300 cfm	4,100 cfm	3,900 cfm	3.2	2	248 Lbs. (Includes Economizer)
460V/3Ph					1.6		

PLEASE NOTE:

1. Return air duct, dampers, return air grills are specific for each unit.
2. For proper electrical wire sizing, Provent power exhaust full load amps need to be added to equation.

ProVent P/N

CONSTANT VOLUME	MODULATING
PEDCPRLDB06C 208/230V 1Ph Selectable Dry Bulb	PEDCPRLDB06M 208/230V 1Ph Selectable Dry Bulb
PEDCPRLLEN06C 208/230V 1Ph Enthalpy	PEDCPRLLEN06M 208/230V 1Ph Enthalpy
PEDCPRLDB25C 208/230V 3Ph Selectable Dry Bulb	PEDCPRLDB25M 208/230V 3Ph Selectable Dry Bulb
PEDCPRLLEN25C 208/230V 3Ph Enthalpy	PEDCPRLLEN25M 208/230V 3Ph Enthalpy
PEDCPRLDB46C 460V 3Ph Selectable Dry Bulb	PEDCPRLDB46M 460V 3Ph Selectable Dry Bulb
PEDCPRLLEN46C 460V 3Ph Enthalpy	PEDCPRLLEN46M 460V 3Ph Enthalpy



Note:
Please contact ProVent if RTU has a hinged filter access option.



Only Ruskin Company Model CD-60 is AMCA Certified



3847 WABASH DR.
MIRA LOMA, CA 91725

PHONE (951) 685-1101
FAX (619) 872-9799

SUBMITTED TO: _____
 COMPANY: _____
 JOB NAME: _____
 EQUIPMENT: _____
 NOTES: _____

FORM NO:
PE-55

DATE:
10/6/2022

PART NUMBER:
PEDCPRL SERIES

REV:
M

DRAWN BY:
CNG