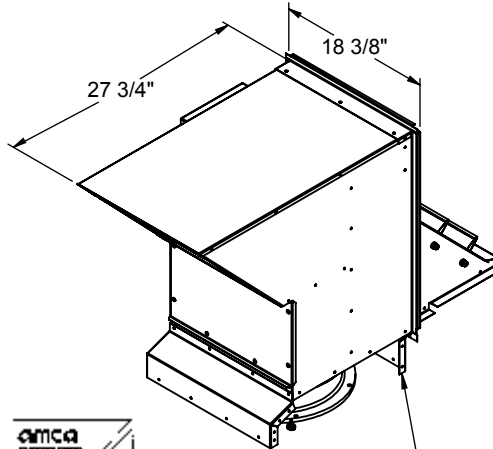
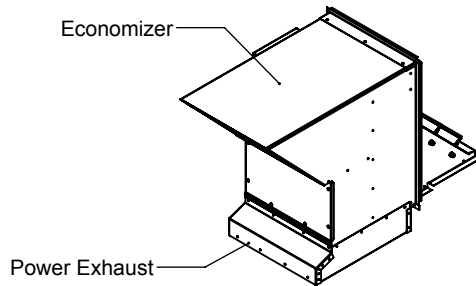


FEATURES	DOWN DISCHARGE AXIAL POWER EXHAUST ECONOMIZER FOR YORK UNITS						ProVent P/N				
	P***A ALL MODELS						CONSTANT VOLUME	MODULATING			
	<ul style="list-style-type: none"> Includes fully modulating economizer. (See Form ECO-500 for Economizer Specs). CO2 controller standard on economizer. Space or duct mounted CO2 sensor provided as option: <ul style="list-style-type: none"> CO2WM - Wall Mount With LED CO2DM - Duct Mount LEED economizer option. Direct drive axial fan. Modulating option includes fully programmable (factory set) variable frequency drive controlled by a differential pressure transducer designed to continuously monitor space pressure. 	VOLTAGE	External Static (in. W.G)				FLA	HP	Wt	PEDALXSDB06C 208/230V 1Ph Selectable Dry Bulb	PEDALXSDB06M 208/230V 1Ph Selectable Dry Bulb
230V/1Ph			0.1	0.2	0.3	0.4				0.5	2.5
230V/3Ph		1,500	1,375	1,250	1,150	900	2.5	PEDALXSDB25C 208/230V 3Ph Selectable Dry Bulb	PEDALXSDB25M 208/230V 3Ph Selectable Dry Bulb		
460V/3Ph							0.8	PEDALXSEN25C 208/230V 3Ph Enthalpy	PEDALXSEN25M 208/230V 3Ph Enthalpy		
	PLEASE NOTE:								PEDALXSDB46C 460V 3Ph Selectable Dry Bulb	PEDALXSDB46M 460V 3Ph Selectable Dry Bulb	
	<ol style="list-style-type: none"> Return air duct, dampers, return air grills are specific for each unit. For proper electrical wire sizing, Provent power exhaust full load amps need to be added to equation. 								PEDALXSEN46C 460V 3Ph Enthalpy	PEDALXSEN46M 460V 3Ph Enthalpy	
									Note: For factory installed LEED economizer / power exhaust option, part number, FLOWECLXS, must be added.		

LEED ECONOMIZER / POWER EXHAUST OPTION

- ProVent P/N: FLOWECLXS
- Outside air measurement for dilution utilizing thermal dispersion technology and ASHRAE 62.1 compliant. Provides LEED credit by supplying feedback on ventilation system performance ensuring that the ventilation system maintains design requirements.
- Factory installed onto economizer/power exhaust standard.
- Provides analog outputs for BMS, visual or audible alert, and generates an alarm when conditions vary by 10% or more of set point.



Power Exhaust

Power Exhaust

Only Ruskin Company Model CD-60 is AMCA Certified



3847 WABASH DR.
MIRA LOMA, CA 91725

PHONE (951) 685-1101
FAX (619) 872-9799

SUBMITTED TO: _____
 COMPANY: _____
 JOB NAME: _____
 EQUIPMENT: _____
 NOTES: _____

FORM NO:
PE-72

DATE:
10/17/2016

PART NUMBER:
PEDALXS SERIES

REV:
1

DRAWN BY:
ALL

FEATURES

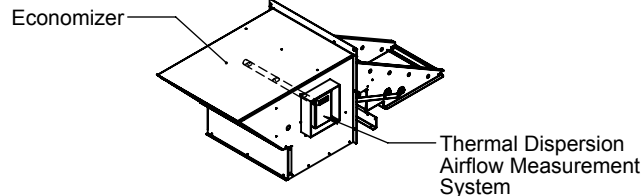
- Direct coupled style actuator standard.
- **CA Title 24 Compliant**
- Stainless steel damper side seals.
- **AMCA certified CD-60 Airfoil dampers blades.**
- **Meets leakage rate as required by ASHRAE 90.1.**
- External linkage system.
- Mechanically secured outside air intake filter.
- Capable of introducing up to 100% outdoor air.
- 16" X 14" X 7/8" (EXACT) Metal Filter included.

FEATURES (When Ordered With Control Options)

- Controls are FDD Compliant
- Fully modulating damper controls with enthalpy, dry bulb and differential temperature sensor options.
- Selectable economizer changeover temperature set point.
- Requires part number 6210-0010J for Dual Enthalpy.
- CO2 controller standard.
Wall or duct mounted CO2 sensor provided as option:
CO2WM - Wall Mount
CO2DM - Duct Mount

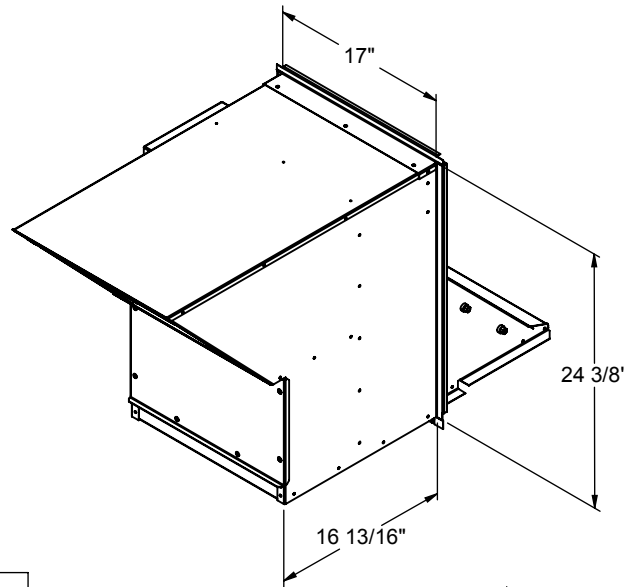
LEED ECONOMIZER OPTION

- ProVent P/N: FLOWECLXS
- Outside air measurement for dilution utilizing thermal dispersion technology and ASHRAE 62.1 compliant. Provides LEED credit by supplying feedback on ventilation system performance ensuring that the ventilation system maintains design requirements.
- Factory installed onto economizer standard.
- Provides analog outputs for BMS, visual or audible alert, and generates an alarm when conditions vary by 10% or more of set point.

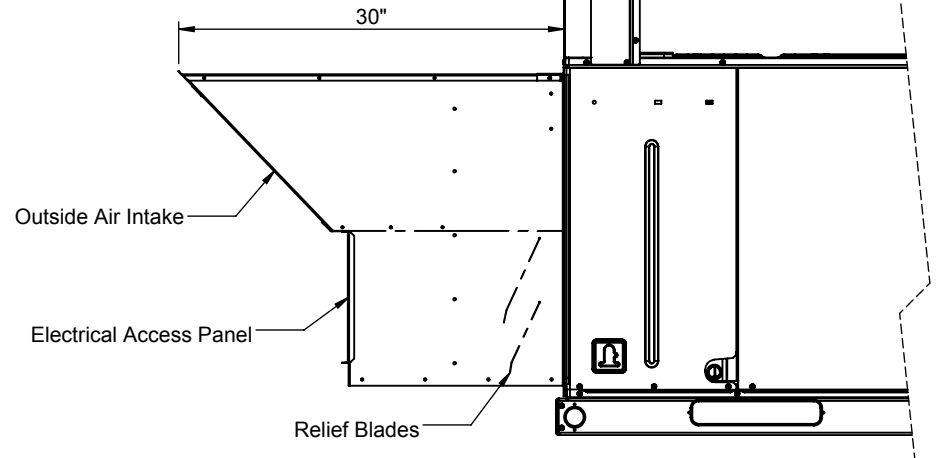


VERTICAL ECONOMIZER FOR YORK UNITS

P***A ALL MODELS



Only Ruskin Company Model CD-60 is AMCA Certified



ProVent P/N

ECODLXSAC
(Actuator Only, 2-10 VDC)

ECODLXSDB
(Fully Modulating Dry Bulb)

ECODLXSEN
(Fully Modulating Enthalpy)

Wt.

50 Lb.

Note: For factory installed LEED economizer option, part number FLOWECLXS must be added.



3847 WABASH DRIVE
MIRA LOMA, CA 91752

PHONE (951) 685-1101
FAX (619) 872-9799

SUBMITTED TO: _____
COMPANY: _____
JOB NAME: _____
EQUIPMENT: _____
NOTES: _____

FORM NO:

ECO-500

DATE:

9/5/2017

PART NUMBER:

ECODLXS Series

REV:

6

DRAWN BY:

ALL