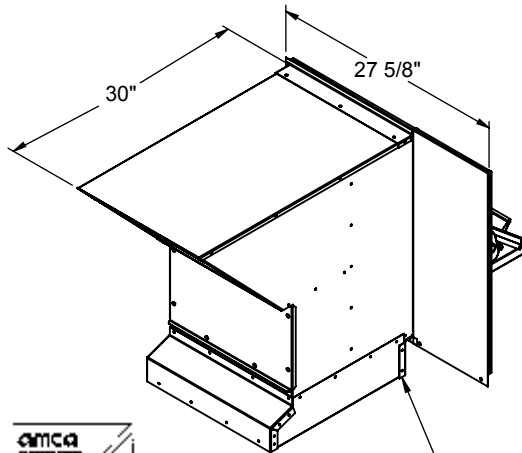
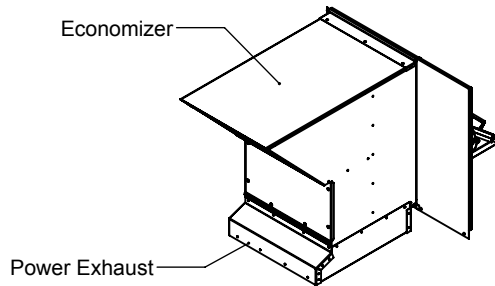


| FEATURES | DOWN DISCHARGE AXIAL POWER EXHAUST ECONOMIZER FOR YORK UNITS | | | | | | ProVent P/N | | | |
|----------|--|---------|---------------------------|-------|-------|-----|-----------------|---|--|---|
| | P***B ALL MODELS | | | | | | CONSTANT VOLUME | MODULATING | | |
| | <ul style="list-style-type: none"> Includes fully modulating economizer. (See Form ECO-501 for Economizer Specs). CO2 controller standard on economizer. Space or duct mounted CO2 sensor provided as option: <ul style="list-style-type: none"> CO2WM - Wall Mount With LED CO2DM - Duct Mount LEED economizer option. Direct drive axial fan. Modulating option includes fully programmable (factory set) variable frequency drive controlled by a differential pressure transducer designed to continuously monitor space pressure. | VOLTAGE | External Static (in. W.G) | | | | FLA | HP | Wt | PEDALXLB06C 208/230V 1Ph Selectable Dry Bulb |
| 230V/1Ph | | | 0.1 | 0.2 | 0.3 | 0.4 | | | | 0.5 |
| 230V/3Ph | | 1,500 | 1,375 | 1,250 | 1,150 | 900 | 2.5 | PEDALXLB25C 208/230V 3Ph Selectable Dry Bulb | PEDALXLB25M 208/230V 3Ph Selectable Dry Bulb | |
| 460V/3Ph | | | | | | | 0.8 | PEDALXLEN25C 208/230V 3Ph Enthalpy | PEDALXLEN25M 208/230V 3Ph Enthalpy | |
| | PLEASE NOTE: | | | | | | | | PEDALXLB46C 460V 3Ph Selectable Dry Bulb | PEDALXLB46M 460V 3Ph Selectable Dry Bulb |
| | <ol style="list-style-type: none"> Return air duct, dampers, return air grills are specific for each unit. For proper electrical wire sizing, Provent power exhaust full load amps need to be added to equation. | | | | | | | | PEDALXLEN46C 460V 3Ph Enthalpy | PEDALXLA2 EN46M 460V 3Ph Enthalpy |
| | | | | | | | | | Note: For factory installed LEED economizer / power exhaust option, part number, FLOWECLXL , must be added. | |

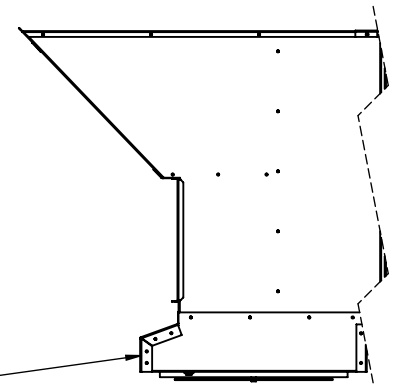
LEED ECONOMIZER / POWER EXHAUST OPTION

- ProVent P/N: FLOWECLXL
- Outside air measurement for dilution utilizing thermal dispersion technology and ASHRAE 62.1 compliant. Provides LEED credit by supplying feedback on ventilation system performance ensuring that the ventilation system maintains design requirements.
- Factory installed onto economizer/power exhaust standard.
- Provides analog outputs for BMS, visual or audible alert, and generates an alarm when conditions vary by 10% or more of set point.



Only Ruskin Company Model CD-60 is AMCA Certified

Power Exhaust



3847 WABASH DR.
MIRA LOMA, CA 91725

PHONE (951) 685-1101
FAX (619) 872-9799

SUBMITTED TO: _____
 COMPANY: _____
 JOB NAME: _____
 EQUIPMENT: _____
 NOTES: _____

FORM NO:
PE-78

PART NUMBER:
PEDALXL SERIES

DATE:
10/17/2016

REV:
1

DRAWN BY:
ALL

FEATURES

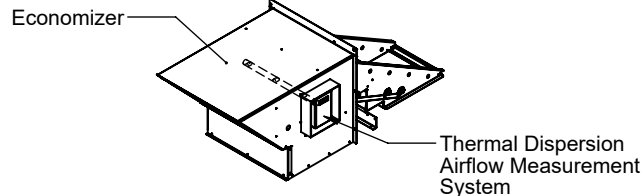
- Direct coupled style actuator standard.
- **CA Title 24 Compliant**
- Stainless steel damper side seals.
- **AMCA certified CD-60 Airfoil dampers blades.**
- **Meets leakage rate as required by ASHRAE 90.1.**
- External linkage system.
- Mechanically secured outside air intake filter.
- Capable of introducing up to 100% outdoor air.
- 16" X 14" X 7/8" (EXACT) Metal Filter included.

FEATURES (When Ordered With Control Options)

- Controls are FDD Compliant
- Fully modulating damper controls with enthalpy, dry bulb and differential temperature sensor options.
- Selectable economizer changeover temperature set point.
- Requires part number 6210-0010J for Dual Enthalpy.
- CO2 controller standard.
Wall or duct mounted CO2 sensor provided as option:
CO2WM - Wall Mount
CO2DM - Duct Mount

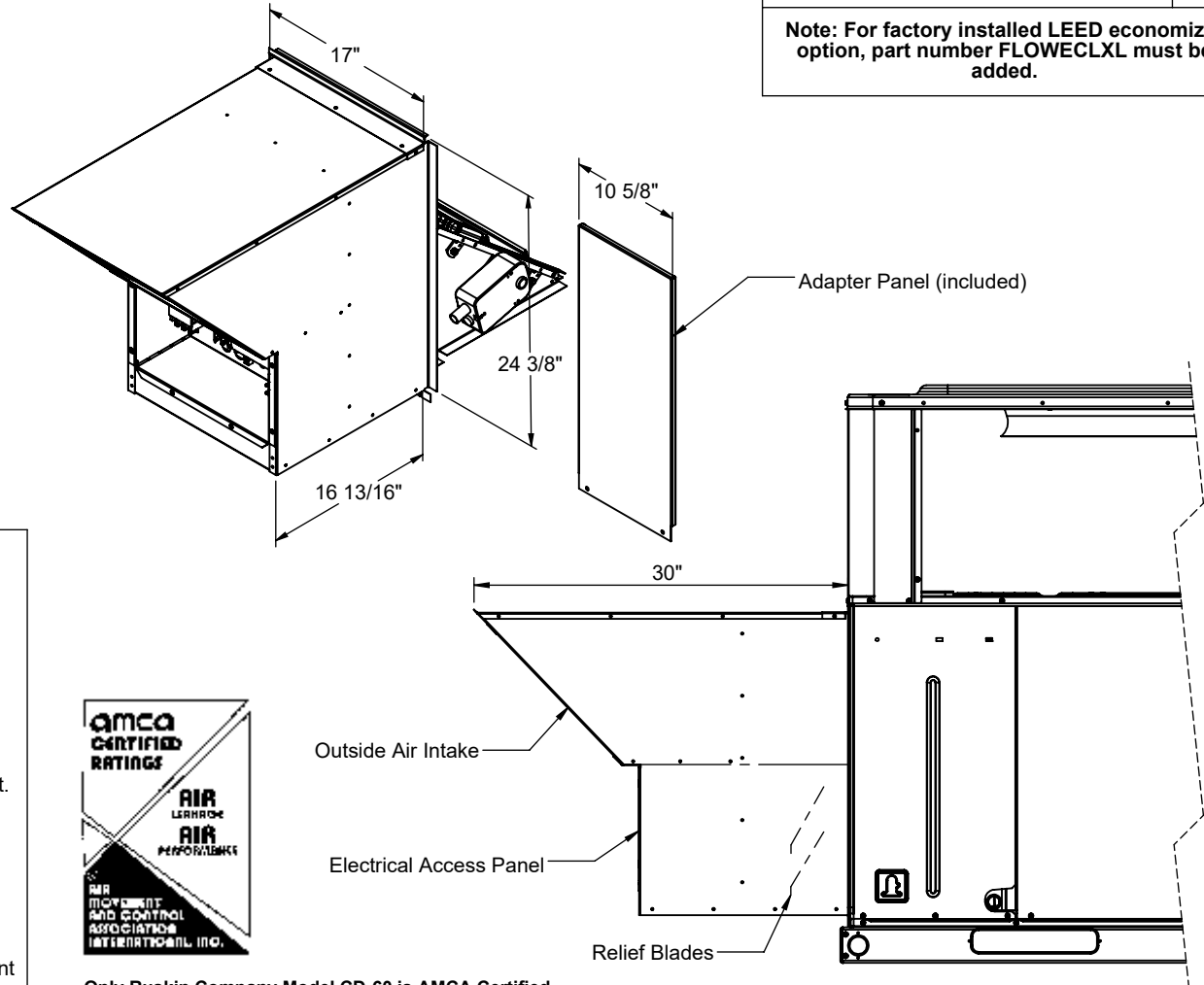
LEED ECONOMIZER OPTION

- ProVent P/N: FLOWECLXL
- Outside air measurement for dilution utilizing thermal dispersion technology and ASHRAE 62.1 compliant. Provides LEED credit by supplying feedback on ventilation system performance ensuring that the ventilation system maintains design requirements.
- Factory installed onto economizer standard.
- Provides analog outputs for BMS, visual or audible alert, and generates an alarm when conditions vary by 10% or more of set point.



VERTICAL ECONOMIZER FOR YORK UNITS

P***B ALL MODELS



Only Ruskin Company Model CD-60 is AMCA Certified

ProVent P/N

ECODXLAC
(Actuator Only, 2-10 VDC)

ECODXLDB
(Fully Modulating Dry Bulb)

ECODXLLEN
(Fully Modulating Enthalpy)

Wt.

50 Lb.

Note: For factory installed LEED economizer option, part number FLOWECLXL must be added.



3847 WABASH DRIVE
MIRA LOMA, CA 91752

PHONE (951) 685-1101
FAX (619) 872-9799

SUBMITTED TO: _____
COMPANY: _____
JOB NAME: _____
EQUIPMENT: _____
NOTES: _____

FORM NO:

ECO-501

DATE:

9/10/2021

PART NUMBER:

ECODXL Series

REV:

6

DRAWN BY:

ALL