

FEATURES

- Constant volume factory set for 2 stage.
- Modulating option includes fully programmable (factory set) variable frequency drive controlled by a differential pressure transducer designed to continuously monitor space pressure.
- Access door for motor, blower, and blower drives.
- Adjustable motor sheave.
- Motor with automatic internal thermal protection.

CENTRIFUGAL POWER EXHAUST, HORIZONTAL FOR SUN CHOICE UNITS

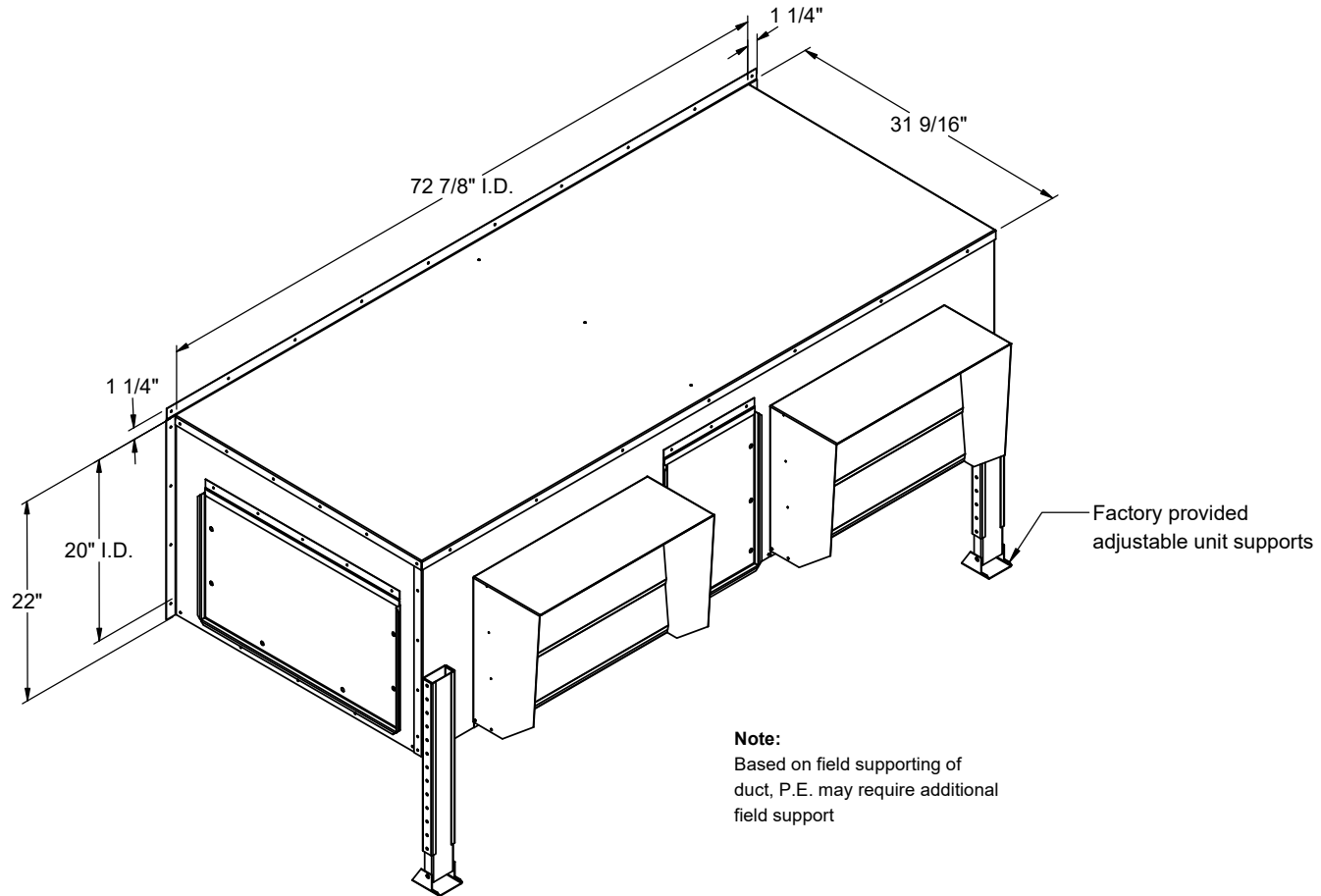
25-27.5 TON

VOLTAGE	ProVent P/N	External Static (in. W.G)				FLA	Hp
		0.1	0.25	0.375	0.5		
230V/3Ph	PEHCSAV252825CS PEHCSAV252825MS	10,400 cfm	10,000 cfm	9,500 cfm	8,600 cfm	11.2	4 Hp Total (Qty. 2, 2 Hp)
460V/3Ph	PEHCSAV252846CS PEHCSAV252846MS					5.6	

ProVent P/N		Est. Wt.
CONSTANT VOLUME 2 STAGE	MODULATING	
PEHCSAV252825CS 208/230V 3Ph	PEHCSAV252825MS 208/230V 3Ph	530 Lbs.
PEHCSAV252846CS 460V 3Ph	PEHCSAV252846MS 460V 3Ph	

PLEASE NOTE:

1. Return air duct, dampers, return air grills are specific for each unit.
2. For proper electrical wire sizing, Provent power exhaust full load amps need to be added to equation.



3847 WABASH DRIVE
MIRA LOMA, CA 91725

PHONE (951) 685-1101
FAX (619) 872-9799

SUBMITTED TO: _____
COMPANY: _____
JOB NAME: _____
EQUIPMENT: _____
NOTES: _____

FORM NO: _____
-

DATE: 4/20/2022

PART NUMBER: PEHCSAV2528

REV: -
DRAWN BY: FMM