

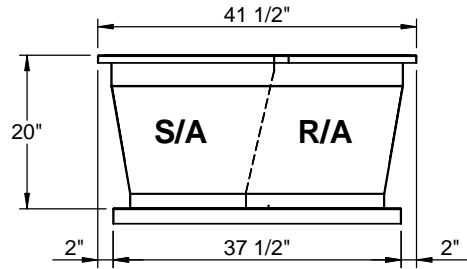
**FEATURES:**

- Gasketing package provided.
- Insulation: 1"-1.5 lb. Density.
- Estimated Weight: 212 Lbs.
- All Galvanized Welded Construction.

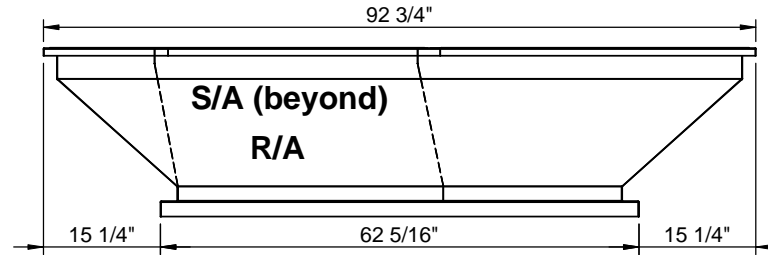
**CURB ADAPTER**

EXISTING CARRIER:  
50CD 004-007; 50QD 006

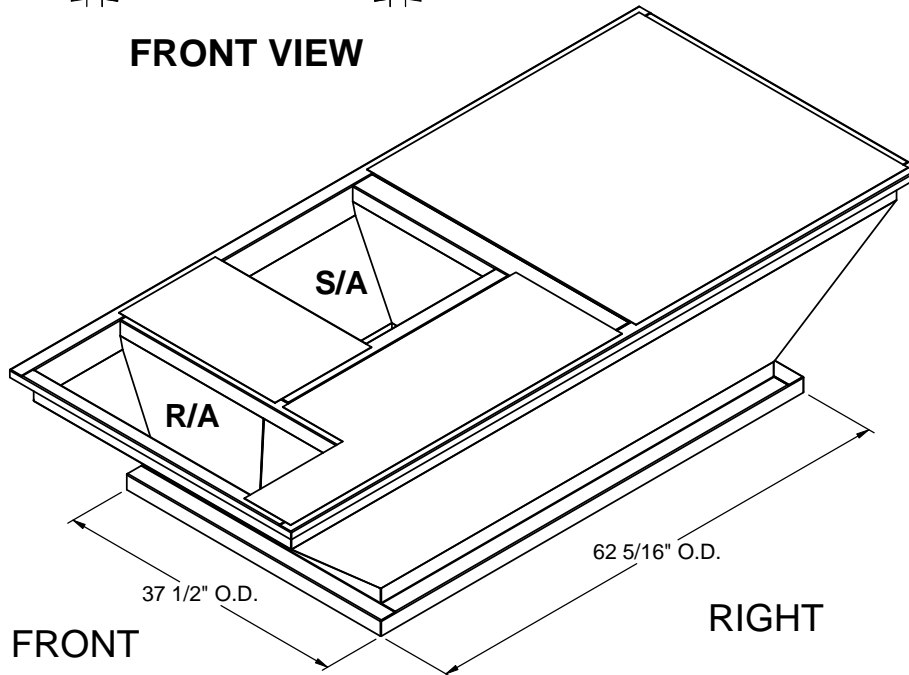
FOR ALLIED UNITS:  
KGA, KCA 090S; KHA 072S



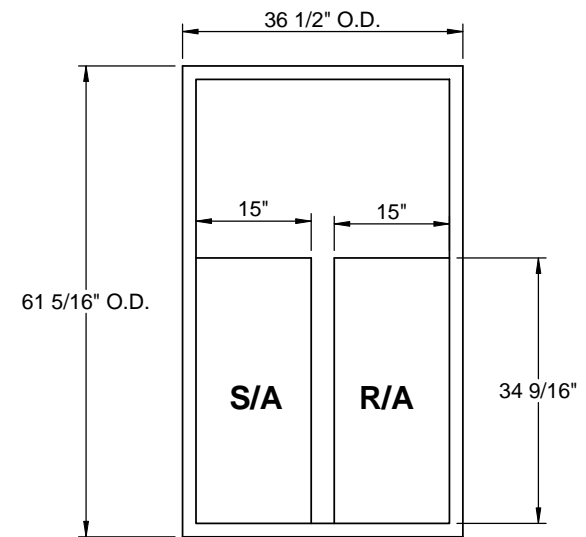
**FRONT VIEW**



**RIGHT VIEW**



**ISOMETRIC VIEW**



**EXISTING CURB**



3847 WABASH DRIVE  
MIRA LOMA, CA 91752

PHONE (951) 685-1101  
FAX (619) 872-9799

SUBMITTED TO: \_\_\_\_\_  
COMPANY: \_\_\_\_\_  
JOB NAME: \_\_\_\_\_  
EQUIPMENT: \_\_\_\_\_  
NOTES: \_\_\_\_\_

FORM NO:  
-

PART NUMBER:  
CA-ABK-CAR01

DATE:  
12/5/2013

REV:  
-

DRAWN BY:  
CNG