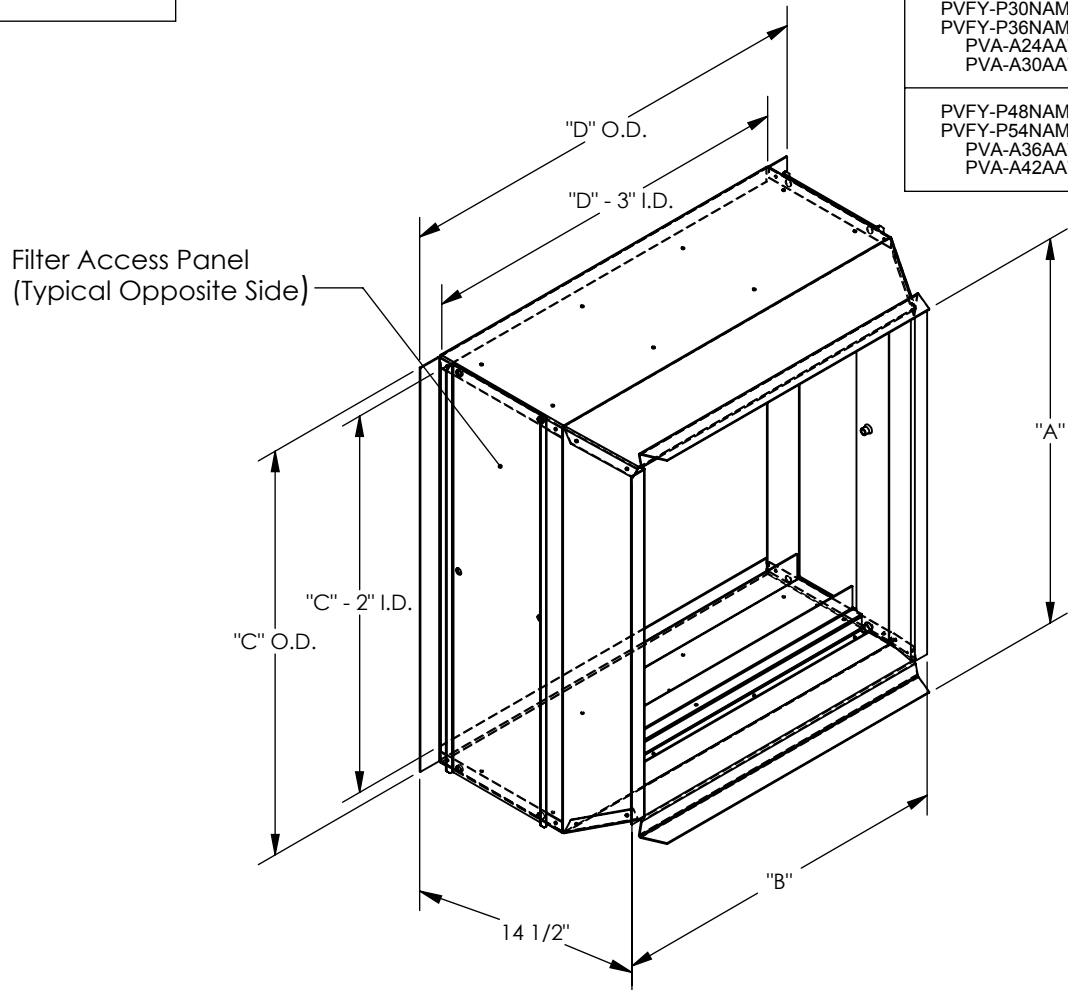


**FEATURES:**

- Factory assembled.
- Galvanized steel construction.
- Fully Insulated.
- Fits, 2" and 4" filters.

**MITSUBISHI FILTER RACK  
PVFY P12-P54NAMU-E  
PVA A12-A42AA7**

UNIT SIZE	PART NUMBER	A	B	C	D	FILTER SIZE*
PVFY-P12NAMU-E PVFY-P18NAMU-E PVFY-P24NAMU-E PVA-A12AA7 PVA-A18AA7	FLTPVFNAMU1224	17-1/8"	21-5/8"	22"	23"	(1) 20" x 20" x *
PVFY-P30NAMU-E PVFY-P36NAMU-E PVA-A24AA7 PVA-A30AA7	FLTPVFNAMU3036	21-1/8"	21-5/8"	22"	27"	(1) 20" x 24" x *
PVFY-P48NAMU-E PVFY-P54NAMU-E PVA-A36AA7 PVA-A42AA7	FLTPVFNAMU4854	25-1/8"	21-5/8"	26"	27"	(1) 24" x 24" x *



3847 WABASH DR.  
MIRA LOMA, CA 91725

PHONE (951) 685-1101  
FAX (619) 872-9799

SUBMITTED TO: \_\_\_\_\_  
 COMPANY: \_\_\_\_\_  
 JOB NAME: \_\_\_\_\_  
 EQUIPMENT: \_\_\_\_\_  
 NOTES: \_\_\_\_\_

FORM NO:

-

PART NUMBER:

FLTPVFNAMU SERIES

DATE:

10/4/2017

REV:

3

DRAWN BY:

ALL