

MIXING BOX FOR MITSUBISHI PEFY-P**NMHU UNITS

FEATURES:

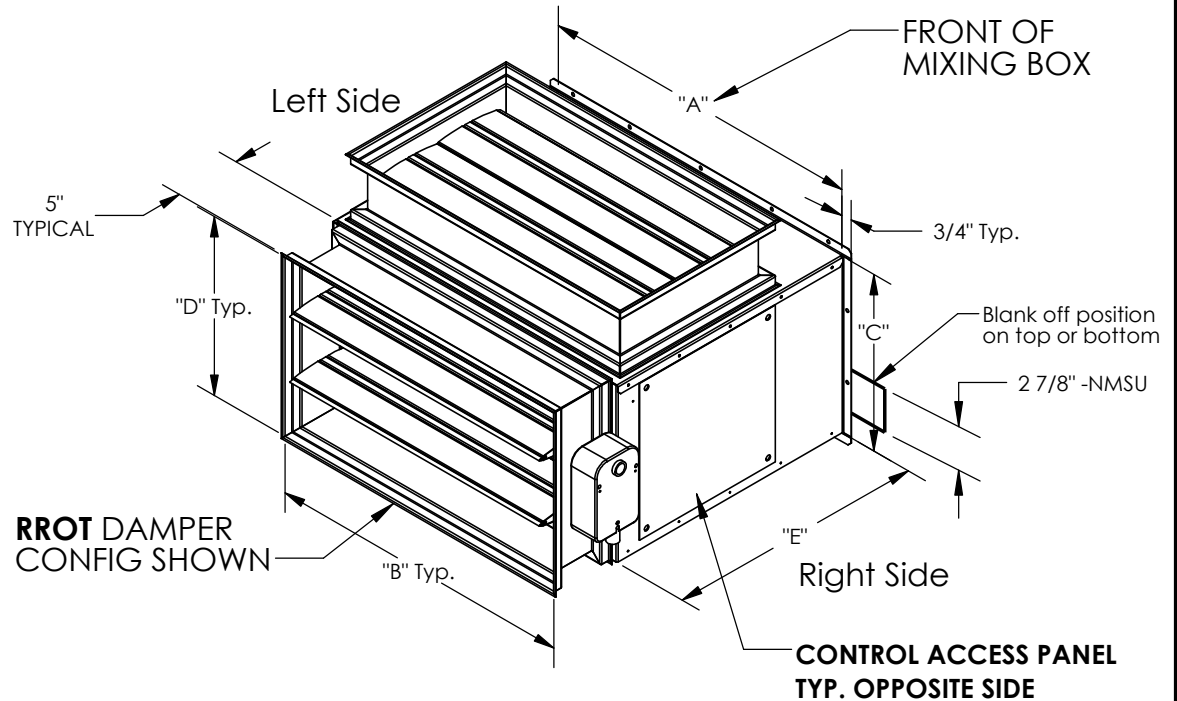
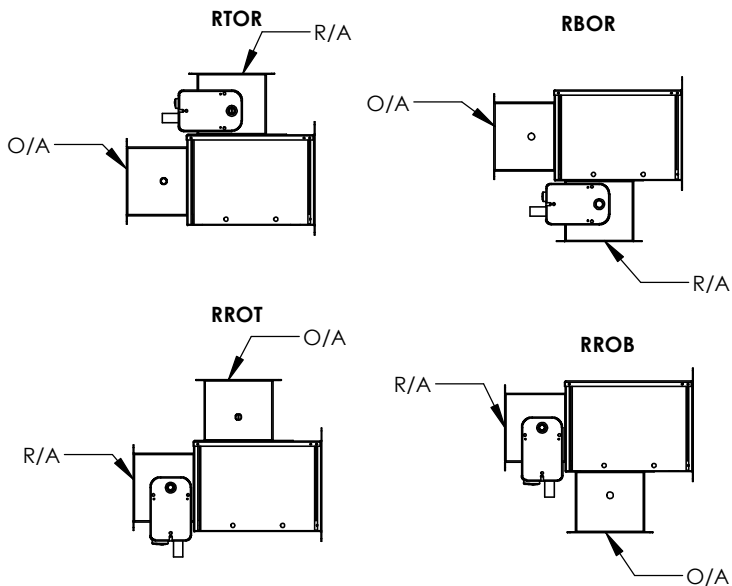
- 20 Ga. factory assembled.
- Insulation: 1"-1.5 lb. Density
- Title 24 compliant low leak dampers.
- Controls package includes:
 DB Selectable dry bulb
 or
 EN Enthalpy modulating controls.
 Also includes relay signal switch.

MITSUBISHI UNIT	PART NUMBER	CONTROLS	A	B	C	D	E	EST.WT
PEFY-P15NMHU PEFY-P18NMHU PEFY-P24NMHU	MBPEFYHU1524NC-**** MBPEFYHU1524DB-**** MBPEFYHU1524EN-****	NO CONTROLS DRY BULB ENTHALPY	25"	23-1/2"	13-1/2"	13 1/2"	20"	68 LBS.
PEFY-P27NMHU PEFY-P30NMHU	MBPEFYHU2730NC-**** MBPEFYHU2730DB-**** MBPEFYHU2730EN-****	NO CONTROLS DRY BULB ENTHALPY	36-1/2"	35"	13-1/2"	13 1/2"	20"	83 Lbs.
PEFY-P36NMHU PEFY-P48NMHU PEFY-P54NMHU	MBPEFYHU3654NC-**** MBPEFYHU3654DB-**** MBPEFYHU3654EN-****	NO CONTROLS DRY BULB ENTHALPY	43"	41-1/2"	13-1/2"	13 1/2"	20"	88 LBS.
PEFY-P72NMHU PEFY-P96NMHU PEFY-P72NMHSU PEFY-P96NMHSU	MBPEFYHU7296NC-**** MBPEFYHU7296DB-**** MBPEFYHU7296EN-****	NO CONTROLS DRY BULB ENTHALPY	47-1/2"	46"	16-7/8"	16-7/8"	23-3/8"	113 LBS.

****** DAMPER ORIENTATIONS:**

- RETURN AIR TOP, OUTSIDE AIR REAR (**RTOR**)
- RETURN AIR BOTTOM, OUTSIDE AIR REAR (**RBOR**)
- RETURN AIR REAR, OUTSIDE AIR TOP (**RROT**)
- RETURN AIR REAR, OUTSIDE AIR BOTTOM (**RROB**)

(ADD TO END OF PART NUMBER AFTER CONTROL SELECTION)



3847 WABASH DR.
MIRA LOMA, CA 91725

PHONE (951) 685-1101
FAX (619) 872-9799

SUBMITTED TO: _____
 COMPANY: _____
 JOB NAME: _____
 EQUIPMENT: _____
 NOTES: _____

FORM NO:
MBPEFY-101

PART NUMBER:
MBPEFYHU SERIES

DATE:
8/8/2019

REV:
11

DRAWN BY:
JG