

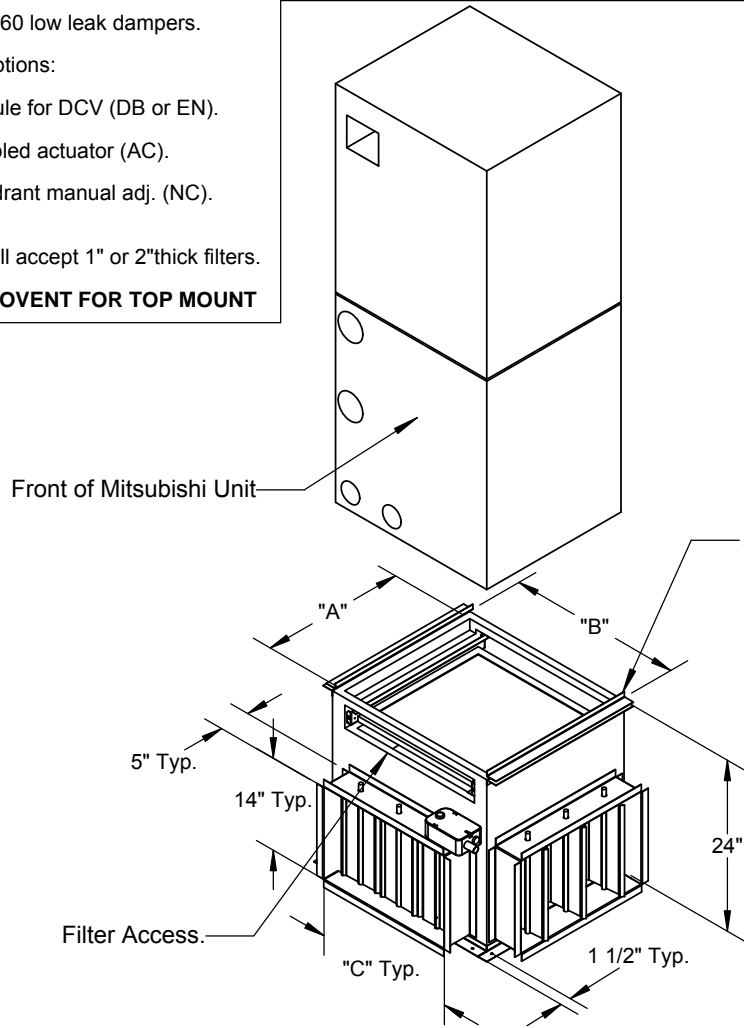
**FEATURES:**

- Designed to support air handler.
- Fully insulated.
- Ruskin CD-60 low leak dampers.
- Controls Options:  
 Logic Module for DCV (DB or EN).  
 Direct coupled actuator (AC).  
 Hand Quadrant manual adj. (NC).
- Filter rack:  
 - Rack will accept 1" or 2" thick filters.

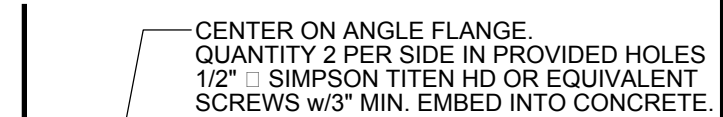
**CONTACT PROVENT FOR TOP MOUNT**

**CUSTOM MIXING BOX FOR MITSUBISHI PVFY E00A / NAMU AIR HANDLER UNITS**

MODEL NUMBER	PART NUMBER	A	B	C	Est. Wt.	Filter Size
PVFY-P12,P18,P24****	MBPVFY1224**-B**	21 1/2"	18 1/4"	16"	79 Lbs.	16" x 20" x **
PVFY-P30,P36****	MBPVFY3036**-B**	21 1/2"	21 1/2"	18"	86 Lbs.	18" x 20" x **
PVFY-P48,P54****	MBPVFY4854**-B**	22 1/4"	25"	20"	95 Lbs.	20" x 20" x **



Support Angle For Mitsubishi Unit  
(2 Sets shipped for NAMU or E00A units)



PART NUMBER EXAMPLE:

MBPVFY1224\*\*-B\*\*

NC (NO CONTROLS)  
 AC (ACTUATOR ONLY)  
 DB (DRY BULB)  
 EN (ENTHALPY)

DAMPER LOCATIONS

**B-Bottom mounted.**

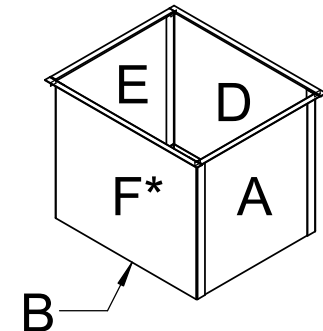
**Mixing Box Position**

B- Bottom mounted.

**Damper Locations**

A, B, F, D, or E.  
 Positions with first position as Return.

(Added to end of part #)



\* F Position represents front of Mixing Box which will always match to front of Air Handler.



3847 WABASH DR.  
 MIRA LOMA, CA 91725

PHONE (951) 685-1101  
 FAX (619) 872-9799

SUBMITTED TO: \_\_\_\_\_  
 COMPANY: \_\_\_\_\_  
 JOB NAME: \_\_\_\_\_  
 EQUIPMENT: \_\_\_\_\_  
 NOTES: \_\_\_\_\_

FORM NO:

-

PART NUMBER:

MBPVFY SERIES

DATE:

2/19/2016

REV:

5

DRAWN BY:

CNG