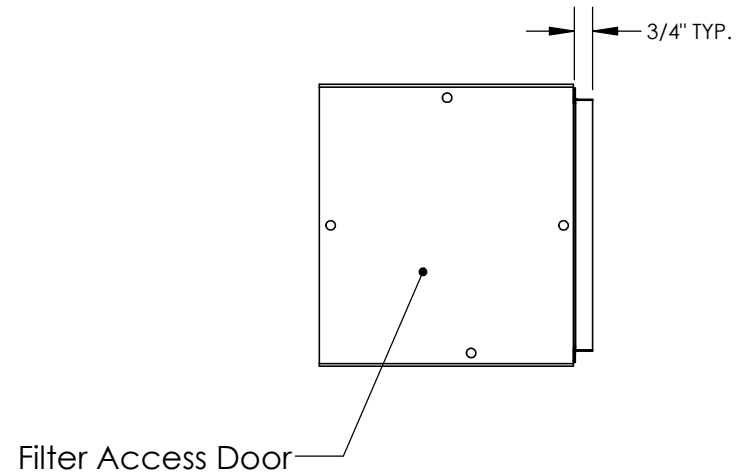
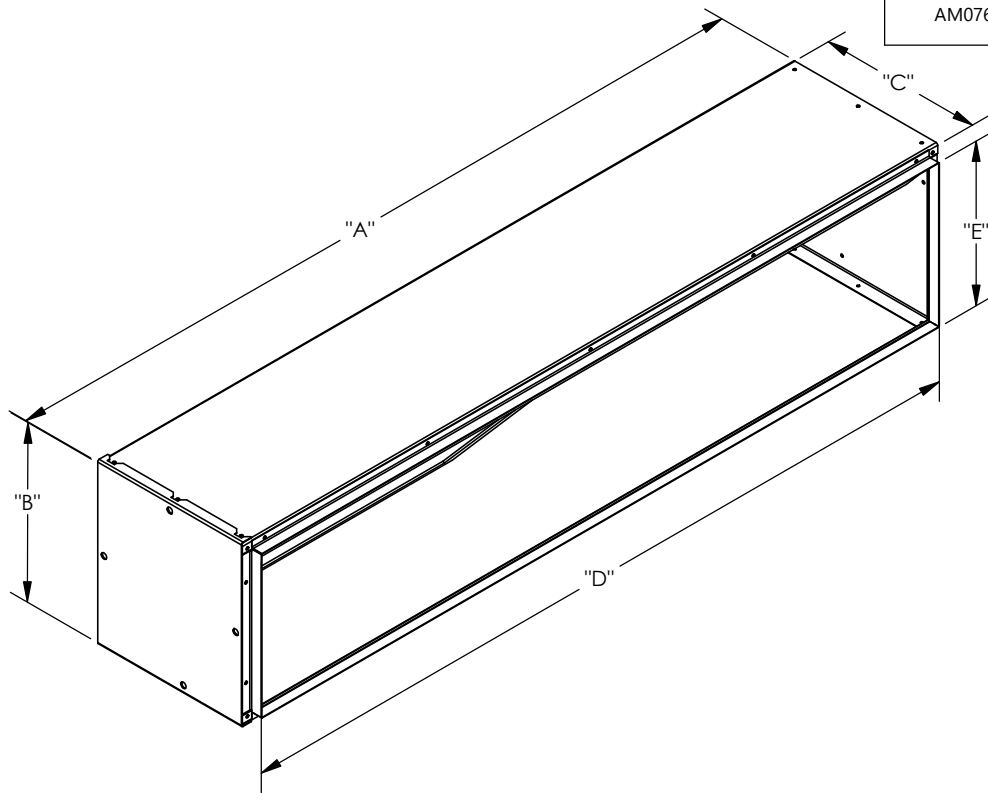


FEATURES:

- Factory assembled.
- Galvanized steel construction.
- Fully Insulated.
- Fits 2" filters.
- Filter not included

**SAMSUNG FILTER RACK
FOR DUCTED CEILING UNITS**

UNIT SIZE ***DCH	PART NUMBER	A	B	C	D	E	FILTER SIZE (NOMINAL)	Est. Weight
AC009-012BNH; AJ009-018BNH; AC018MNH AM006-015ANM; AM006RNM; AM007-018MNM	FLT-SAC0718	33-1/2"	9-3/4"	9-5/8"	32-3/16"	8-11/16"	(1) 12" x 10" x 2" (1) 12" x 24" x 2"	17 Lbs.
AC018-036BNH; AC024-030MNH AM018-030AN(M/H); AM018RNM	FLT-SAC2430	47-1/4"	9-3/4"	9-5/8"	45-15/16"	8-11/16"	(2) 12" x 24" x 2"	23 Lbs.
AC036-048BNH; AC036-048MNH AM036-048ANH; AM036-048MNH	FLT-SAC3648	51-1/4"	11-3/4"	12-5/8"	49-15/16"	10-1/2"	(2) 14" x 25" x 2"	28 Lbs.
AC030-048JNH AM024-054JNH; AM036-048FNH	FLT-SAC54	47-1/4"	14-3/16"	10-5/16"	45-3/8"	10-15/16"	(2) 16" x 24" x 2"	24 Lbs.
AM076-096FNH	FLT-SAC7696	TO BE DETERMINED						



3847 WABASH DRIVE
MIRA LOMA, CA 91752

PHONE (951) 685-1101
FAX (619) 872-9799

SUBMITTED TO: _____
 COMPANY: _____
 JOB NAME: _____
 EQUIPMENT: _____
 NOTES: _____

FORM NO:

-

DATE:

9/12/2022

PART NUMBER:

FLT-SAC SERIES

REV:

4

DRAWN BY:

JG