

## MIXING BOX FOR SAMSUNG DUCTED CEILING UNITS

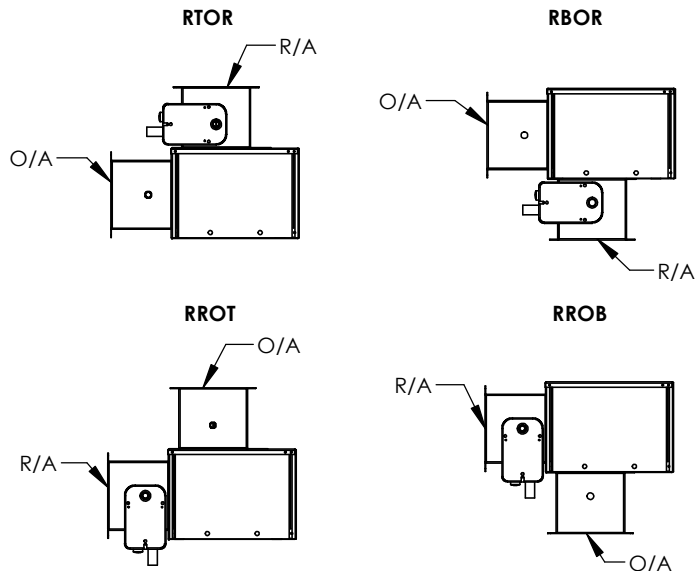
**FEATURES:**

- Galvanized metal factory assembled.
- Insulation: 1"-1.5 lb. Density
- Title 24 compliant low leak dampers.
- Controls package includes:  
**DB** Selectable dry bulb  
or  
**EN** Enthalpy modulating controls.  
Also includes relay signal switch.

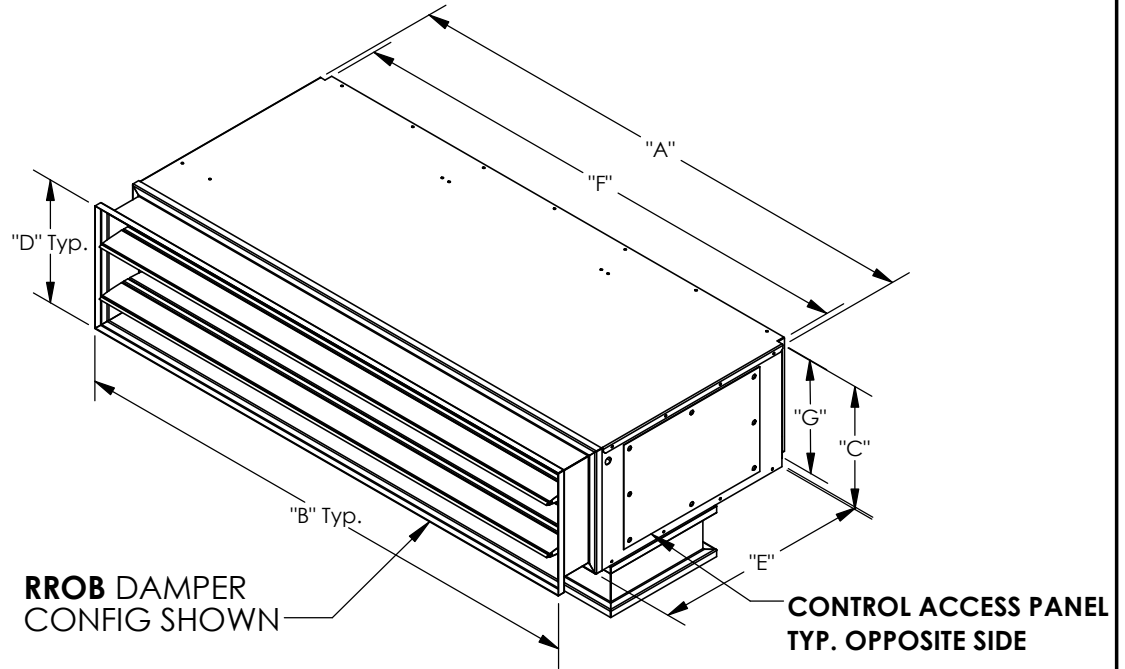
**\*\*\*\* DAMPER ORIENTATIONS:**

- RETURN AIR TOP, OUTSIDE AIR REAR (**RTOR**)
- RETURN AIR BOTTOM, OUTSIDE AIR REAR (**RBOR**)
- RETURN AIR REAR, OUTSIDE AIR TOP (**RROT**)
- RETURN AIR REAR, OUTSIDE AIR BOTTOM (**RROB**)

**(ADD TO END OF PART NUMBER AFTER CONTROL SELECTION)**



UNIT SIZE ***DCH	PART NUMBER	CONTROLS	A	B	C	D	E	F	G	EST.WT
AC009-012BNH; AJ009-018BNH; AC018MNH AM006-015ANM; AM006RNM; AM007-018MNM	MB-SAC0718-NC-**** MB-SAC0718-DB-**** MB-SAC0718-EN-****	NO CONTROLS DRY BULB ENTHALPY	33-3/4"	33-1/2"	9-15/16"	9-3/4"	18"	3-13/16"	8-1/2"	62 LBS.
AC018-036BNH; AC024-030MNH AM018-030AN(M/H); AM018RNM	MB-SAC2430-NC-**** MB-SAC2430-DB-**** MB-SAC2430-EN-****	NO CONTROLS DRY BULB ENTHALPY	47-1/4"	47-1/4"	9-3/4"	9-3/4"	18"	46-1/16"	8-13/16"	79 Lbs.
AC036-048BNH; AC036-048MNH AM036-048ANH; AM036-048MNH	MB-SAC3648-NC-**** MB-SAC3648-DB-**** MB-SAC3648-EN-****	NO CONTROLS DRY BULB ENTHALPY	51-3/16"	51-3/16"	11-3/4"	11 3/4"	20"	50-1/16"	10-15/16"	88 LBS.
AC030-048JNH AM024-054JNH; AM036-048FNH	MB-SAC54-NC-**** MB-SAC54-DB-**** MB-SAC54-EN-****	NO CONTROLS DRY BULB ENTHALPY	47-1/4"	47-1/4"	14-3/16"	11"	20"	46-7/8"	11-1/8"	87 LBS.
AM076-096FNH	MB-SAC7696-NC-**** MB-SAC7696-DB-**** MB-SAC7696-EN-****	NO CONTROLS DRY BULB ENTHALPY	48-13/16"	46-3/4"	18-1/2"	16-1/2"	23-1/2"	46-7/8"	15-5/16"	100 LBS.



3847 WABASH DRIVE  
MIRA LOMA, CA 91725

PHONE (951) 685-1101  
FAX (619) 872-9799

SUBMITTED TO: \_\_\_\_\_  
 COMPANY: \_\_\_\_\_  
 JOB NAME: \_\_\_\_\_  
 EQUIPMENT: \_\_\_\_\_  
 NOTES: \_\_\_\_\_

FORM NO:  
MB-500

DATE:  
9/12/2022

PART NUMBER:  
MB-SAC SERIES

REV:  
2

DRAWN BY:  
JG