

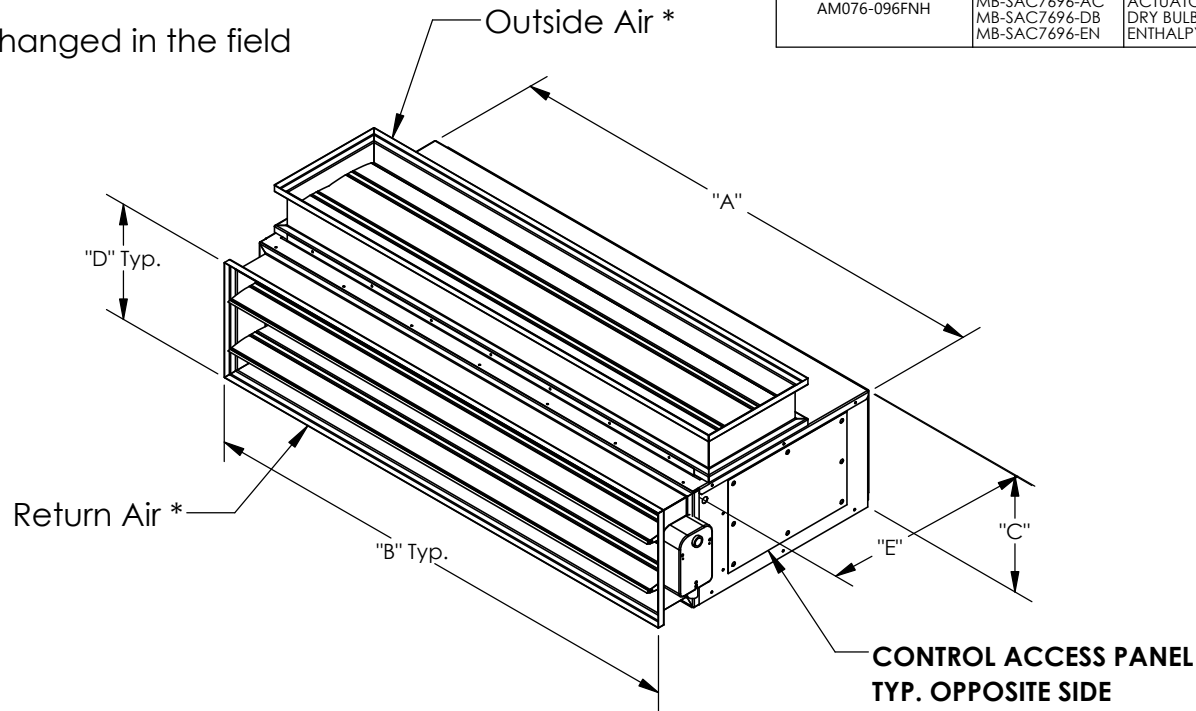
MIXING BOX FOR SAMSUNG DUCTED CEILING UNITS

FEATURES:

- California Title 24 Compliant.
- Galvanized metal factory assembled
- Insulation: 1"-1.5 lb. Density
- AMCA Certified CD-60 low leak dampers.
- Controls package includes:
 DB Selectable dry bulb
 or
 EN Enthalpy modulating controls.
 Also includes relay signal switch.

UNIT SIZE ***DCH	PART NUMBER	CONTROLS	A	B	C	D	E	EST.WT
AC009-012BNH AJ009-018BNH AC018MNH AM006-015ANM AM006RNM AM007-018MNM	MB-SAC0718-NC MB-SAC0718-AC MB-SAC0718-DB MB-SAC0718-EN	NO CONTROLS ACTUATOR ONLY DRY BULB ENTHALPY	33-3/4"	33-1/2"	9-15/16"	9-3/4"	18"	62 LBS.
AC018-030BNH AC024-030MNH AM018-030AN(M/H) AM018RNM	MB-SAC2430-NC MB-SAC2430-AC MB-SAC2430-DB MB-SAC2430-EN	NO CONTROLS ACTUATOR ONLY DRY BULB ENTHALPY	47-1/4"	47-1/4"	9-3/4"	9-3/4"	18"	79 LBS.
AC036-048BNH AC036-048MNH AM036-048ANH AM036-048MNH	MB-SAC3648-NC MB-SAC3648-AC MB-SAC3648-DB MB-SAC3648-EN	NO CONTROLS ACTUATOR ONLY DRY BULB ENTHALPY	51-1/16"	51-3/16"	11-15/16"	11 3/4"	20"	88 LBS.
AC030-048JNH AM024-054JNH AM036-048FNH	MB-SAC54-NC MB-SAC54-AC MB-SAC54-DB MB-SAC54-EN	NO CONTROLS ACTUATOR ONLY DRY BULB ENTHALPY	47-3/16"	47-1/4"	14-3/16"	11"	20"	87 LBS.
AM076-096FNH	MB-SAC7696-NC MB-SAC7696-AC MB-SAC7696-DB MB-SAC7696-EN	NO CONTROLS ACTUATOR ONLY DRY BULB ENTHALPY	48-13/16"	46-3/4"	18-1/2"	16-1/2"	23-1/2"	100 LBS.

* Can be changed in the field



3847 WABASH DRIVE
MIRA LOMA, CA 91752

PHONE (951) 685-1101
FAX (619) 872-9799

SUBMITTED TO: _____
 COMPANY: _____
 JOB NAME: _____
 EQUIPMENT: _____
 NOTES: _____

FORM NO:
MB-500

DATE:
6/19/2024

PART NUMBER:
MB-SAC SERIES

REV:
6

DRAWN BY:
CNG