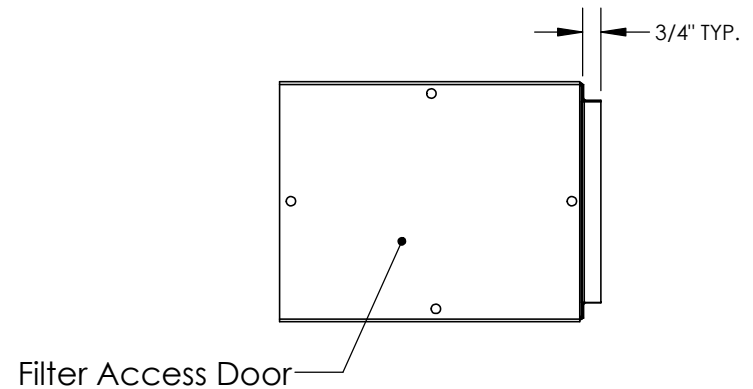
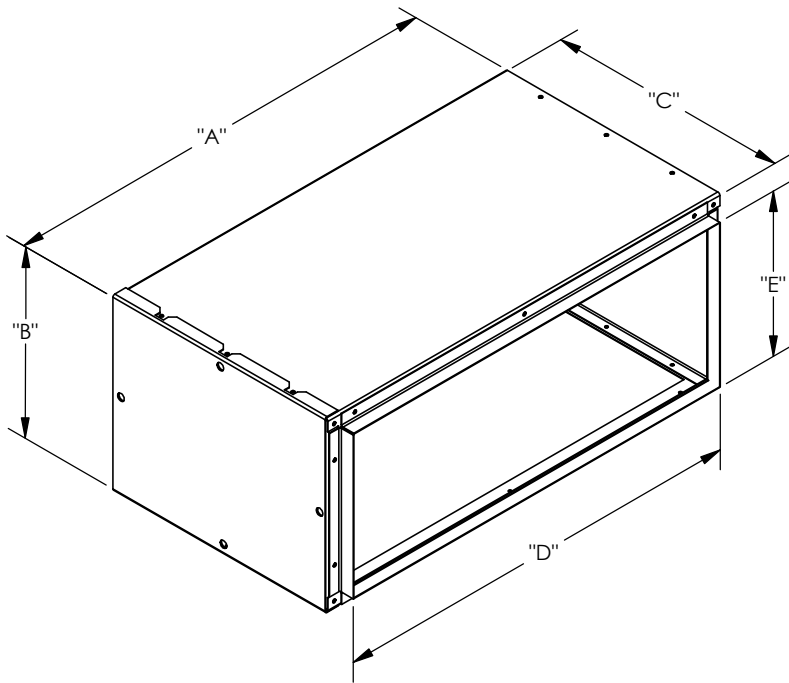


FEATURES:

- Factory assembled.
- Galvanized steel construction.
- Fully Insulated.
- Fits 2" filters.
- Filter not included

HITACHI FILTER RACK

UNIT SIZE	PART NUMBER	A	B	C	D	E	FILTER SIZE (NOMINAL)	Est. Weight
H, Y DOA096B21S	FLT-HIDOA96	48"	18-3/8"	17-3/4"	43-3/8"	16-7/16"	(2) 24" x 24" x 2"	39 Lbs.
H, Y IDM30-48B21E	FLT-HIDM3048E	51-1/8"	10"	10"	49-9/16"	8-9/16"	(2) 10" x 24" x 2"	78 Lbs.
H, Y IDS006-012B21S	FLT-HIDS0612	33-3/16"	7-9/16"	9"	29-7/8"	6-11/16"	(1) 10" x 20" x 2" (1) 10" x 14" x 2"	17 Lbs.
H, Y IDS015-018B21S	FLT-HIDS1518	41-1/2"	7-9/16"	9"	40-1/2"	6-11/16"	(2) 10" x 20" x 2"	17 Lbs.
H, Y IDM006-015B22S	FLT-HIDM0615	23-1/8"	9-7/8"	12-5/8"	21-5/8"	8-7/16"	(1) 14" x 20" x 2"	17 Lbs.
H, Y IDM018-027B22S	FLT-HIDM1827	36-7/8"	9-7/8"	12-5/8"	35-3/8"	8-7/16"	(1) 14" x 20" x 2" (1) 14" x 14" x 2"	22 Lbs.
H, Y IDM030-054B22S	FLT-HIDM3054	50-11/16"	9-7/8"	12-5/8"	49-3/16"	8-7/16"	(2) 14" x 25" x 2"	28 Lbs.
H, Y IDH015B22S	FLT-HIDH15	22"	10"	9"	21-5/8"	8-7/16"	(1) 12" x 20" x 2"	56 Lbs.
H, Y IDH018-027B22S	FLT-HIDH1827	36"	10"	12-5/8"	35-3/8"	8-7/16"	(1) 14" x 20" x 2" (1) 14" x 14" x 2"	22 Lbs.
H, Y IDH030-054B22S	FLT-HIDH3054	50"	10"	12-5/8"	49-3/16"	8-7/16"	(2) 14" x 25" x 2"	79 Lbs.
H, Y IDH072-092B21S	FLT-HIDH7296	44-7/8"	18 3/8"	17-3/4"	43-3/8"	16-7/16"	(1) 20" x 24" x 2" (1) 24" x 24" x 2"	39 Lbs.
H, Y IDH018D21S	FLT-HIDH18	35-7/16"	10-5/8"	11-13/32"	33-25/32"	8-31/32"	(1) 14" x 20" x 2" (1) 14" x 14" x 2"	23 Lbs.
H, Y IDH024-030B21S	FLT-HIDH2430	35-7/16"	13-25/32"	13-13/16"	32-27/32"	12-1/16"	(1) 18" x 24" x 2" (1) 18" x 12" x 2"	23 Lbs.
H, Y IDH036-048B21S	FLT-HIDH3648	51-3/16"	13-25/32"	13-7/8"	48-19/32"	12-1/16"	(2) 18" x 24" x 2"	34 Lbs.



3847 WABASH DRIVE
MIRA LOMA, CA 91725

PHONE (951) 685-1101
FAX (619) 872-9799

SUBMITTED TO: _____
COMPANY: _____
JOB NAME: _____
EQUIPMENT: _____
NOTES: _____

FORM NO:

-

DATE:

4/27/2022

PART NUMBER:

FLT-H SERIES

REV:

8

DRAWN BY:

JG