

MIXING BOX FOR HITACHI UNITS

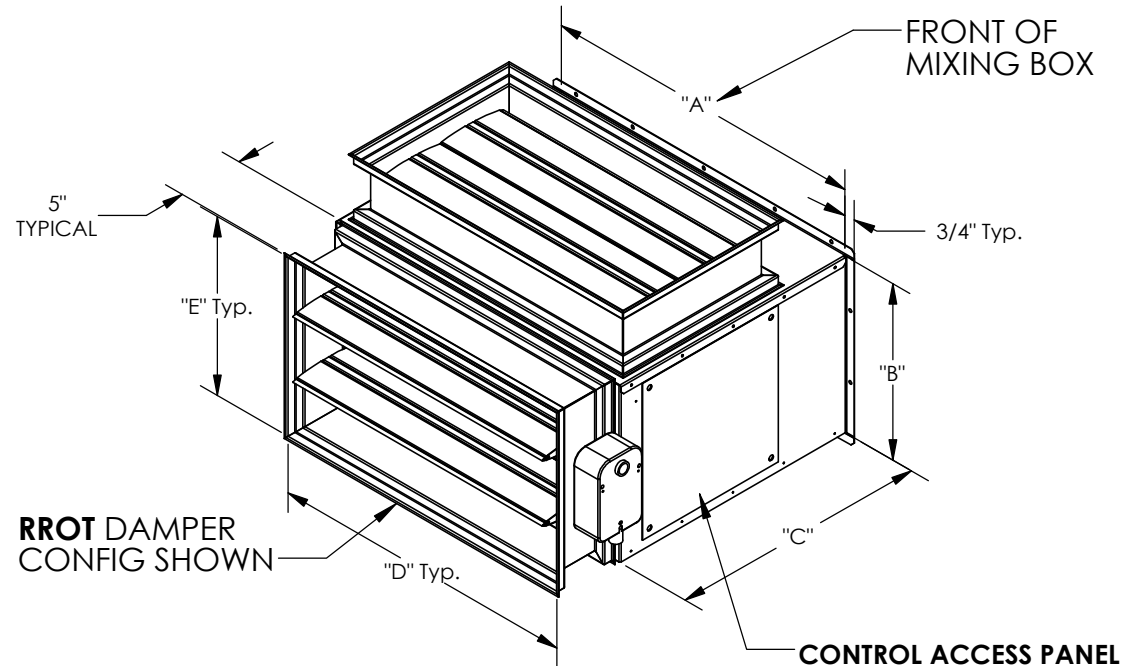
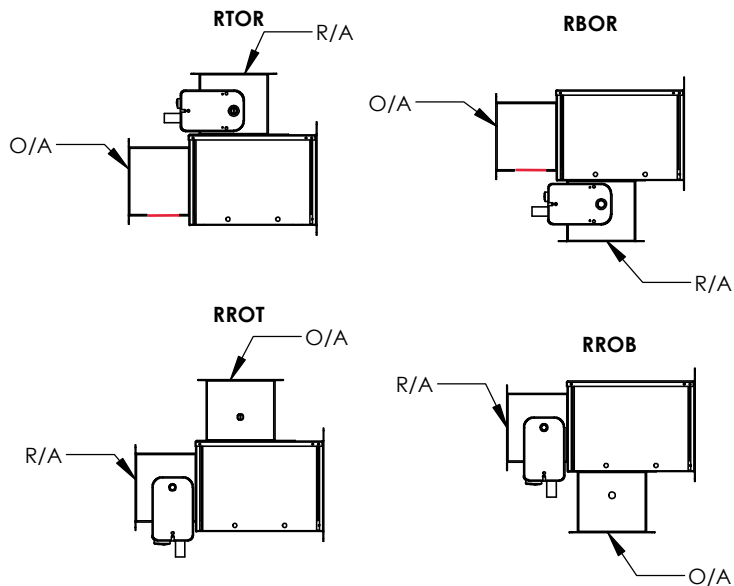
FEATURES:

- 20 Ga. factory assembled.
- Insulation: 1"-1.5 lb. Density
- Title 24 compliant low leak dampers.
- Controls package includes:
DB Selectable dry bulb
or
EN Enthalpy modulating controls.
Also includes relay signal switch.

**** DAMPER ORIENTATIONS:

- RETURN AIR TOP, OUTSIDE AIR REAR (**RTOR**)
- RETURN AIR BOTTOM, OUTSIDE AIR REAR (**RBOR**)
- RETURN AIR REAR, OUTSIDE AIR TOP (**RROT**)
- RETURN AIR REAR, OUTSIDE AIR BOTTOM (**RROB**)

(ADD TO END OF PART NUMBER AFTER CONTROL SELECTION)



UNIT SIZE	PART NUMBER	A	B	C	D	E	Est. Weight
H, Y DOA096B21S	MB-HDOA96	43-1/2"	16-7/16"	23"	43-3/8"	16-7/16"	115 Lbs.
H, Y IDM30-48B21E	MB-HIDM3048E	49-11/16"	8-9/16"	15"	49-9/16"	8-9/16"	108 Lbs.
H, Y IDS006-012B21S	MB-HIDS0612	30"	6-23/32"	13"	29-7/8"	6-23/32"	90 Lbs.
H, Y IDS015-018B21S	MB-HIDS1518	41-5/8"	6-23/32"	13"	40-1/2"	6-23/32"	95 Lbs.
H, Y IDM006-015B22S	MB-HIDM0615	21-3/4"	8-7/16"	15"	21-5/8"	8-7/16"	89 Lbs.
H, Y IDM018-027B22S	MB-HIDM1827	35-1/2"	8-7/16"	15"	35-3/8"	8-7/16"	92 Lbs.
H, Y IDM030-054B22S	MB-HIDM3054	49-5/16"	8-7/16"	15"	49-3/16"	8-7/16"	109 Lbs.
H, Y IDH015B22S	MB-HIDH15	21-3/4"	8-7/16"	15"	21-5/8"	8-7/16"	89 Lbs.
H, Y IDH018-027B22S	MB-HIDH1827	35-1/2"	8-7/16"	15"	35-3/8"	8-7/16"	92 Lbs.
H, Y IDH030-054B22S	MB-HIDH3054	49-5/16"	8-7/16"	15"	49-3/16"	8-7/16"	109 Lbs.
H, Y IDH072-092B21S	MB-HIDH7296	43-1/2"	16-7/16"	23"	43-3/8"	16-7/16"	113 Lbs.



3847 WABASH DR.
MIRA LOMA, CA 91725

PHONE (951) 685-1101
FAX (619) 872-9799

SUBMITTED TO: _____
COMPANY: _____
JOB NAME: _____
EQUIPMENT: _____
NOTES: _____

FORM NO:

-

PART NUMBER:

MB-H Series

DATE:

8/19/2020

REV:

M

DRAWN BY:

CNG