

FEATURES:

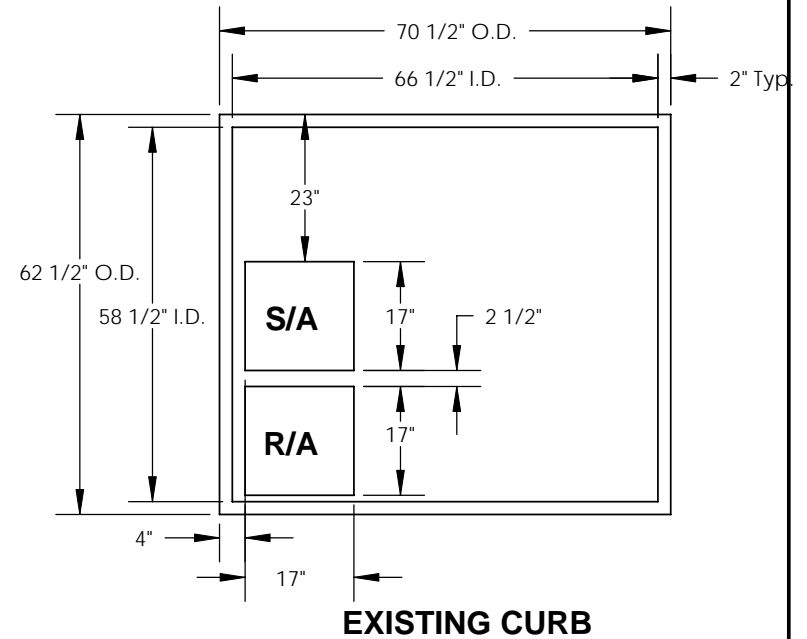
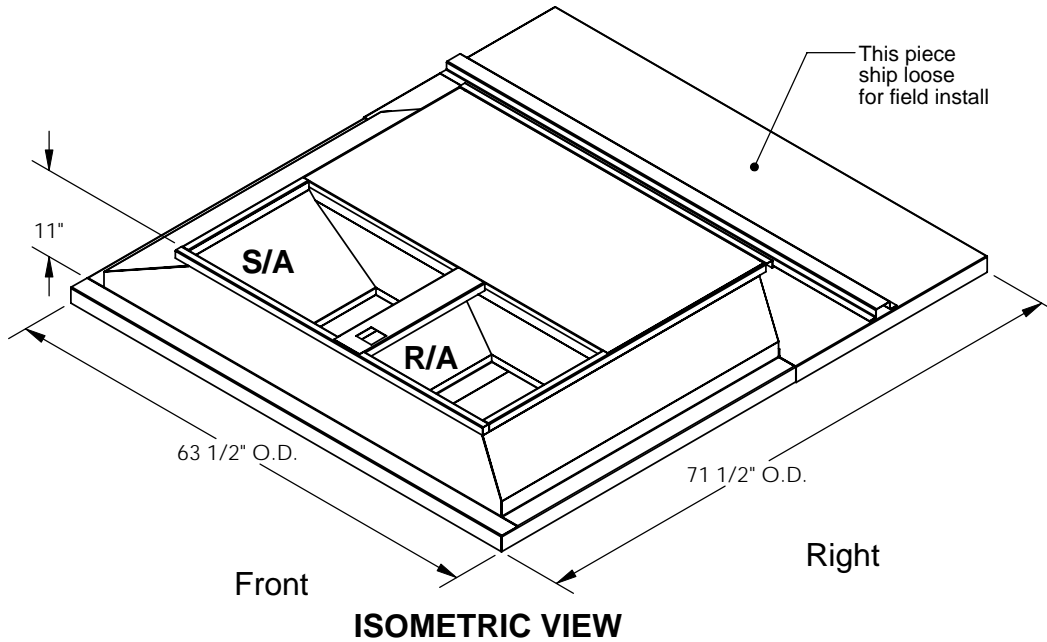
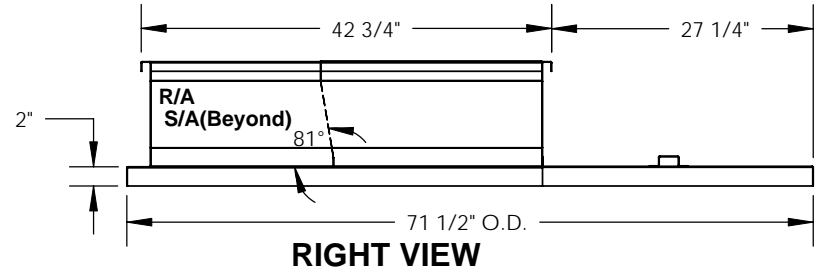
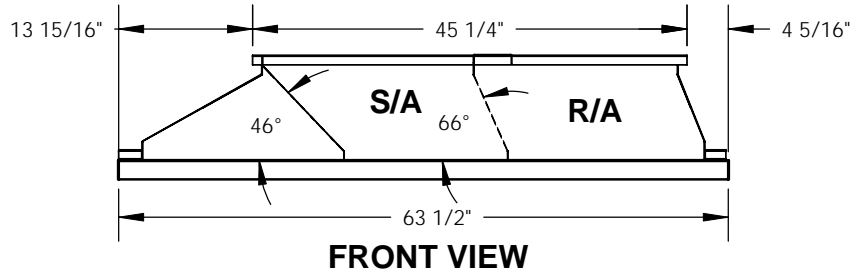
- Gasketing package provided.
- Insulation: 1"-1.5 lb. Density.
- Estimated Weight: 129 Lbs.
- All Galvanized Welded Construction.

CURB ADAPTER

EXISTING CARRIER:
48KL, GL, KLA, 042-060; 48KH, GH, KHA 036-060

EXISTING BRYANT:
585E, G, H, J 036100-060

FOR YORK UNITS:
DEB/BHH/BHA 018-060: DNZ/DEZ/DNP/DEM/BHZ/BHP 024-060: DEX 024-048:
DNH/DEH 030-060: DNA 036-060: DNY/BHX 024, 036, 048, 060: DNX 024, 036, 048: DEY 060



1392 EAST PALOMAR STREET
SUITE 403-234
CHULA VISTA, CA 91913
PHONE (619) 498-9246
FAX (619) 872-9799

SUBMITTED TO: _____
COMPANY: _____
JOB NAME: _____
EQUIPMENT: _____
NOTES: _____

FORM NO: _____
DATE: 2/15/2010

PART NUMBER: CA-AFF1860-CAR14
REV: 1
DRAWN BY: FMM