

FEATURES:

- Material: Bright Galv.
- Gasketing package provided.
- Insulation: 1"-1.5 lb. Density.
- Estimated Weight: 89 Lbs.
- All Welded Construction.

NOTE:

Similar sized curb exists on adapter part # CA-AFF1860-CAR04. Please ensure existing curb is accurate on submittal.

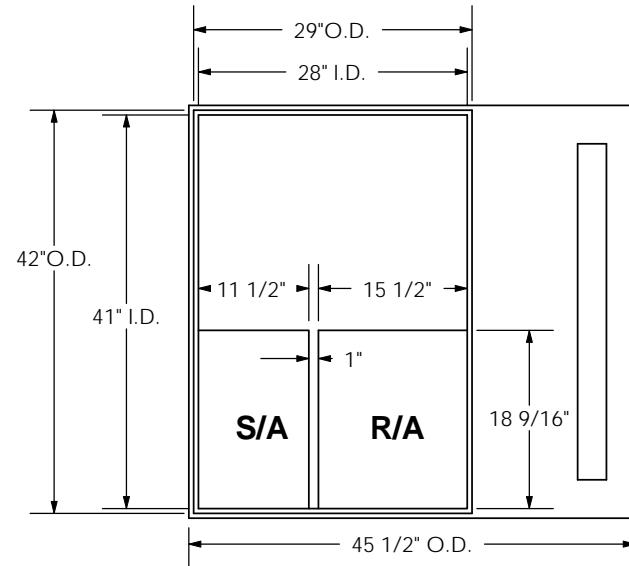
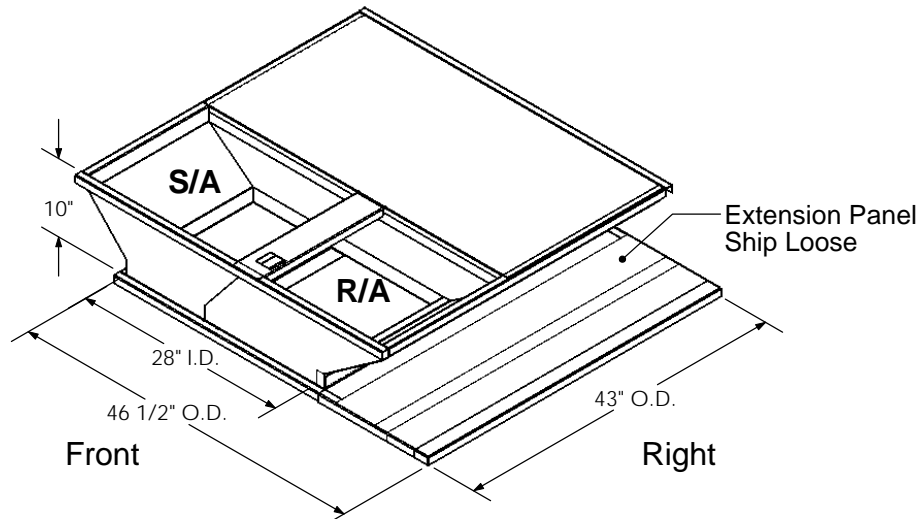
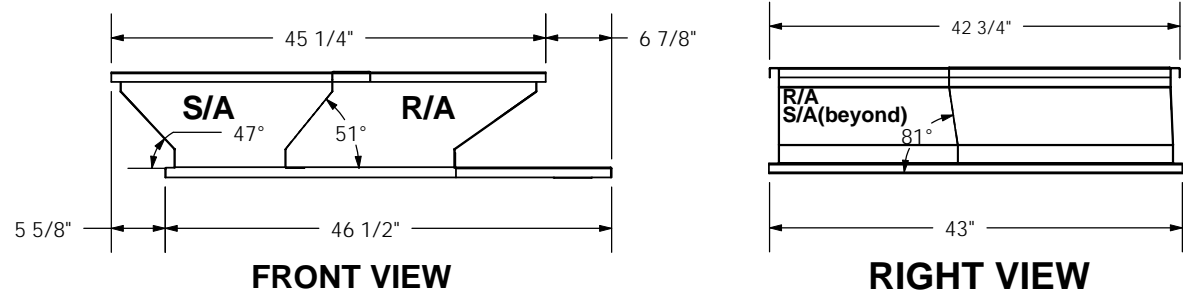
CURB ADAPTER

EXISTING CARRIER:

48SS/SX 018-060...**MMC 0529 Curb (See note below)**

FOR YORK UNITS:

DEB/BHH/BHA 018-060: DNZ/DEZ/DNP/DEM/BHZ/BHP 024-060: DEX 024-048:
DNH/DEH 030-060: DNA 036-060: DNY/BHX 024, 036, 048, 060: DNX 024, 036, 048: DEY 060



ISOMETRIC VIEW

EXISTING CURB



1392 EAST PALOMAR STREET
SUITE 403-234
CHULA VISTA, CA 91913

PHONE (619) 498-9246
FAX (619) 872-9799

SUBMITTED TO: _____
COMPANY: _____
JOB NAME: _____
EQUIPMENT: _____
NOTES: _____

FORM NO: _____
DATE: 8/5/2014

PART NUMBER: CA-AFF1860-CAR05
REV: 2
DRAWN BY: FMM