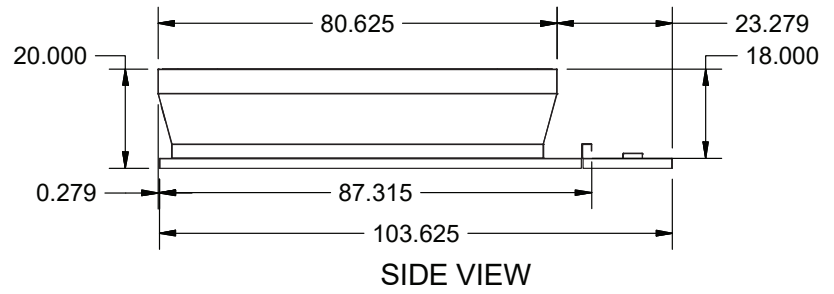
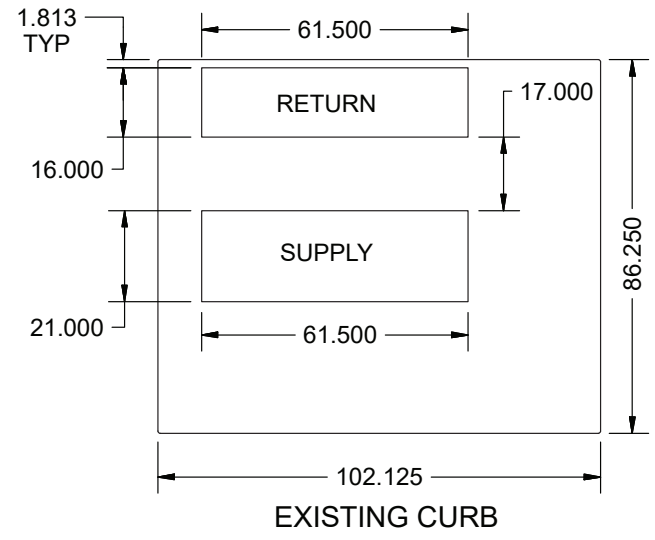
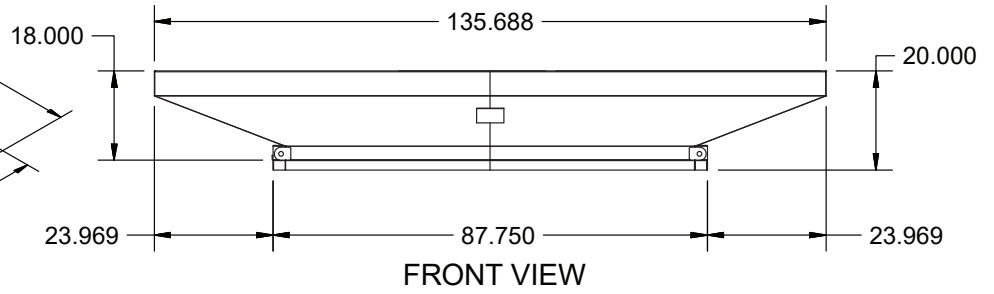
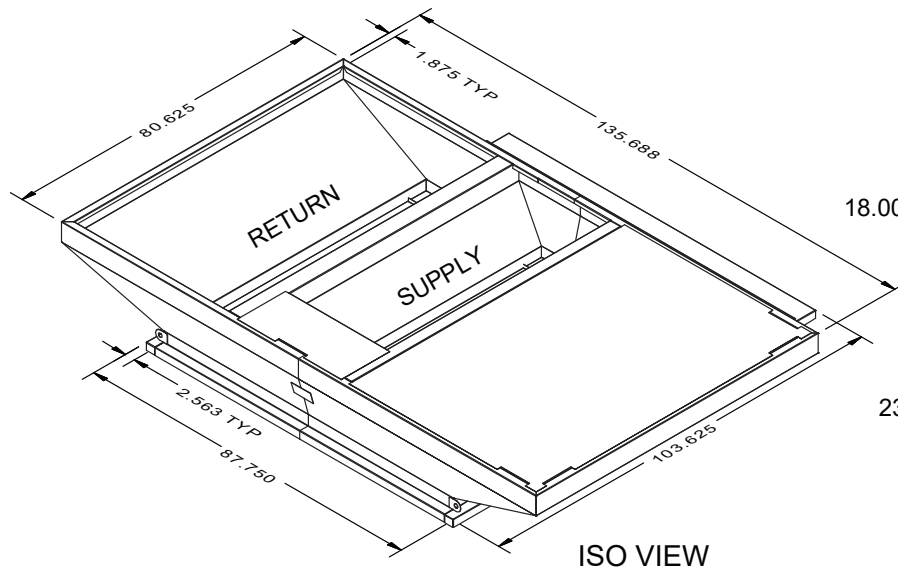


Approved By _____ Date: _____



605 Shiloh Road, Plano, Texas 75074
 Phone (972) 247-7447 (800) 552-4822
 Fax (972) 243-0940

Notes:

1. Fully welded G90 galvanized construction
2. Supply and Return plenums fully insulated
3. Gaskets shipped with adapter
4. RRS reserves the right to change layout without notification.
5. If a curb adapter is needed in a different configuration, notify RRS prior to placing an order.
6. Curb Adapters up to 12.5 tons designed for less than .35" Total Static Pressure.
7. Curb Adapters from 15-25 tons designed for less than .625" Total Static Pressure.

Curb Adapter for York

Old Unit: LGA / LCA / LHA 180-240
New Unit: AV20-25, AW13-15, AH, AL18-20, HV15-20

- **Verify existing curb dimensions**
- **Verify supply and return ducts.**
- **Document variations**
- **Contact RRS for all concerns and drawing verification.**

Part No: 30-290-5509
Duct Type: Non-Concentric
Weight: 495 lbs
Static Pressure: N/A
Form#: 305509
Date: June 21, 2023
Supersedes: 10-29-19