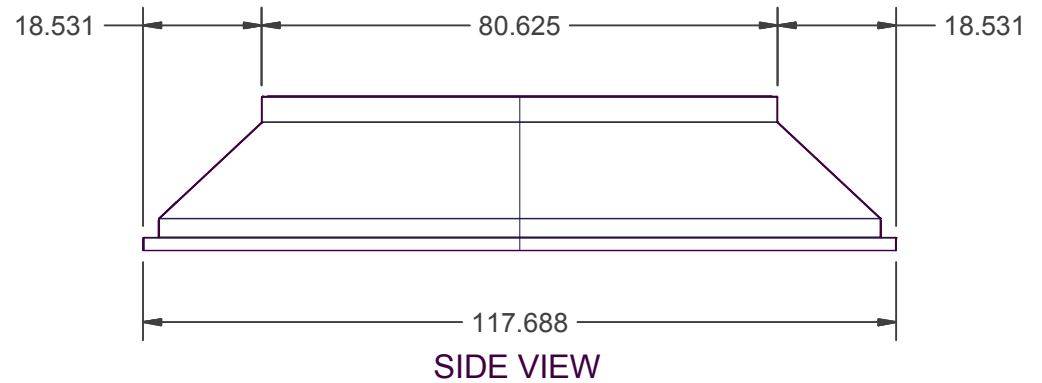
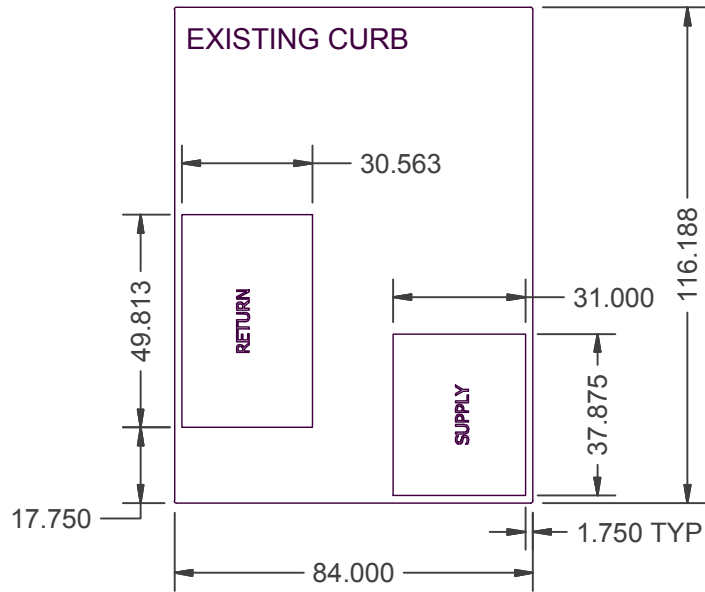
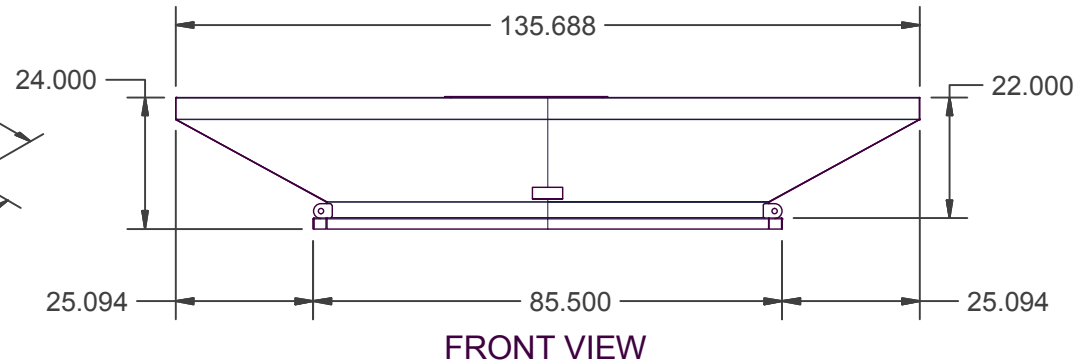
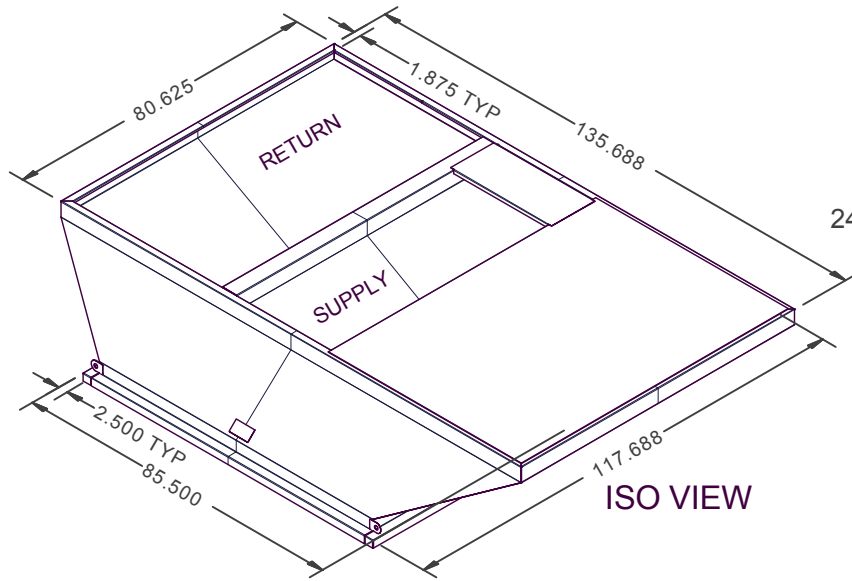


APRV'D BY: _____ DATE: _____



RRS ROOFTOP SYSTEMS

1625 DIPLOMAT DR., CARROLLTON, TX 75006-6848
 Phone: (972) 247-7447 (800) 552-4822
 Fax: (972) 243-0940

NOTES:

1. Fully welded G90 galvanized construction
2. Supply and Return plenums fully insulated
3. Gaskets shipped with adapter
4. RRS reserves the right to change layout without notification.
5. If a curb adapter is needed in a different configuration, notify RRS prior to placing an order.
6. Curb Adapters up to 12.5 tons designed for less than .35" Total Static Pressure
7. Curb Adapters from 15-25 tons designed for less than .625" Total Static Pressure

CURB ADAPTOR FOR: YORK

OLD UNIT: 50DJ/DK/NP 024-030

NEW UNIT: AV20-25, AW13-15, AH18-20, AL18-20, HV15-20

- Verify existing curb dimensions
- Verify supply and return ducts.
- Document variations
- Contact RRS for all concerns and drawing verification.

UNIT NO: 30-290-5534

DUCT TYPE: NON-CONCENTRIC

WEIGHT: 728.032 lbmass

Static Pressure: NA

FORM#: 305534

DATE: 8/8/18

SUPERSEDES: NA