

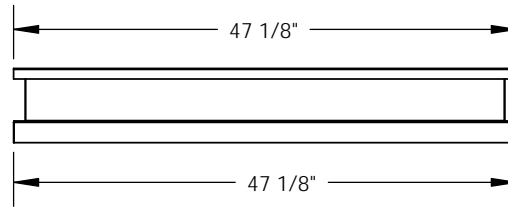
FEATURES:

- Material: 20 Ga. Bright Galv.
- Gasketing package provided.
- Heat treated wood nailer provided.
- Estimated Weight: 37 Lbs.

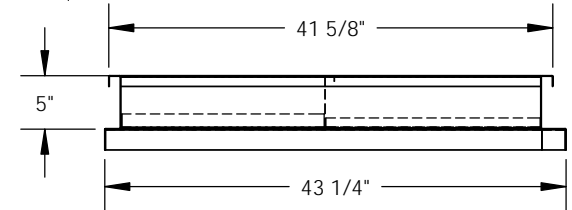
CURB ADAPTER

EXISTING CARRIER:
48/50 ES-A 042-060

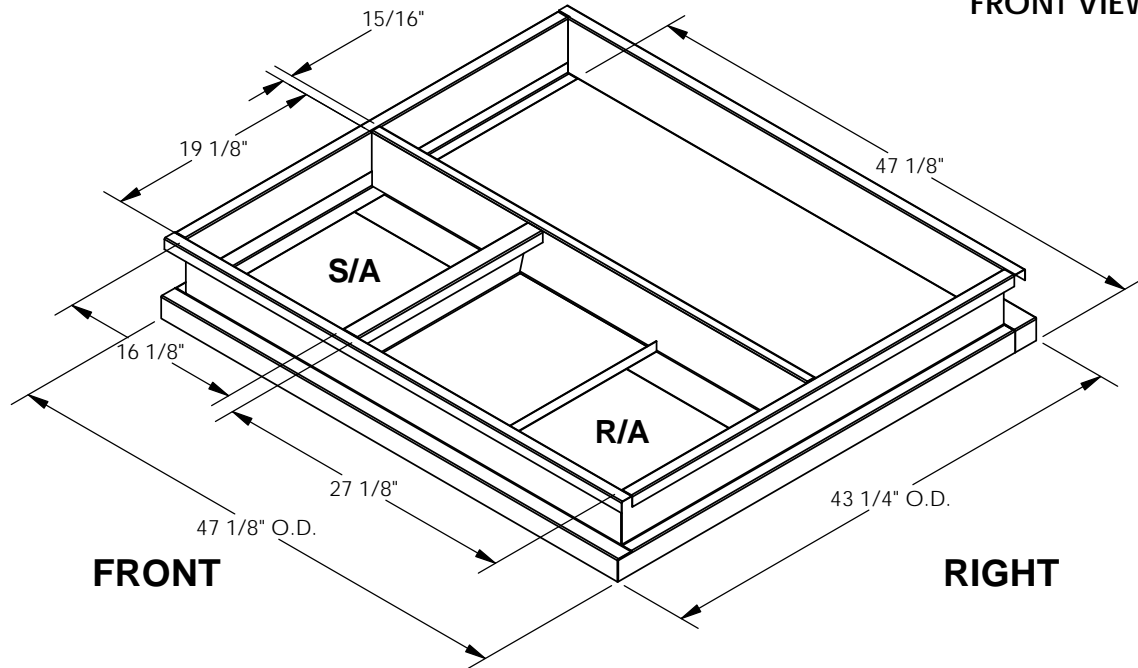
FOR YORK UNITS:
PCG4 048-060



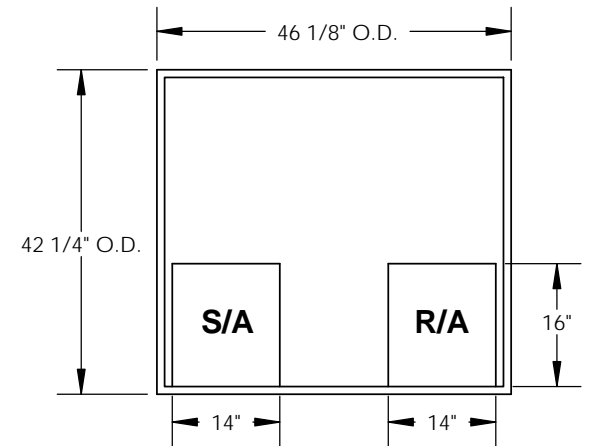
FRONT VIEW



RIGHT VIEW



ISOMETRIC VIEW



EXISTING CURB



3847 WABASH DR.
MIRA LOMA, CA 91725

PHONE (951) 685-1101
FAX (619) 872-9799

SUBMITTED TO: _____
COMPANY: _____
JOB NAME: _____
EQUIPMENT: _____
NOTES: _____

FORM NO:
-
DATE:
6/11/2015

PART NUMBER:
CA-LXL-CAR01
REV:
1

DRAWN BY:
CNG