

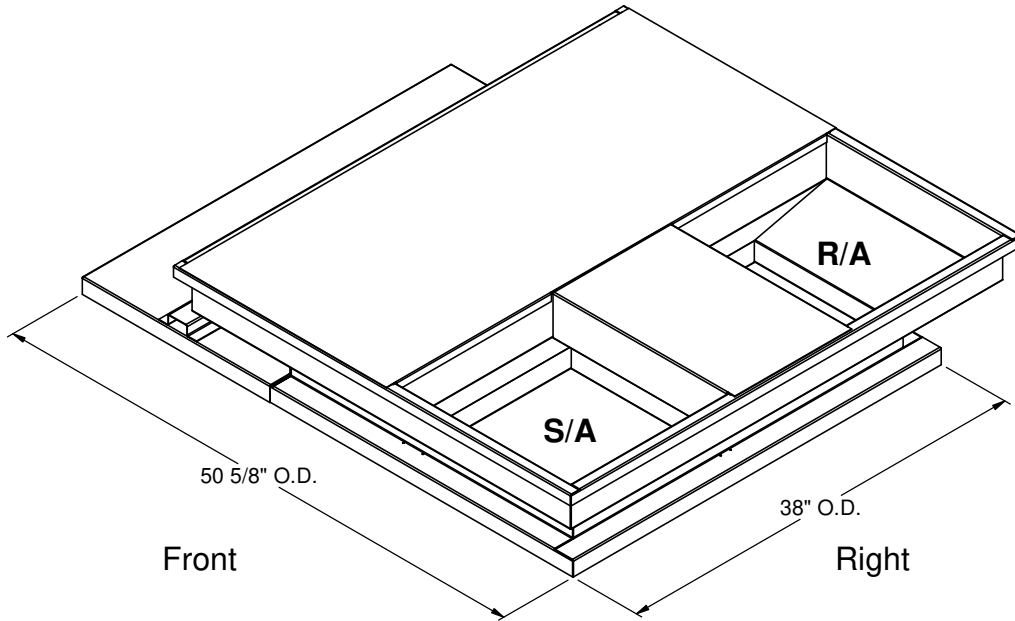
**FEATURES:**

- Gasketing package provided.
- Insulation: 1"-1.5 lb. Density.
- Estimated Weight: 95 Lbs.
- All Galvanized Welded Construction.

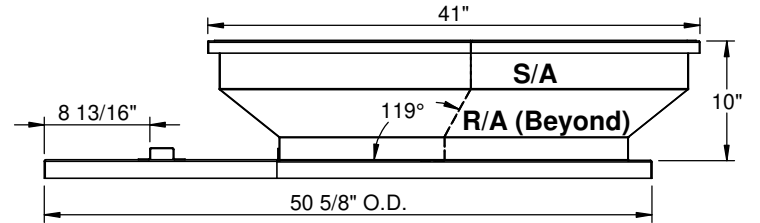
**CURB ADAPTER**

EXISTING GOODMAN:  
 PGB, PGJ 024050, 024075, 030050, 030075, 036050, 036075; PHB 024-030

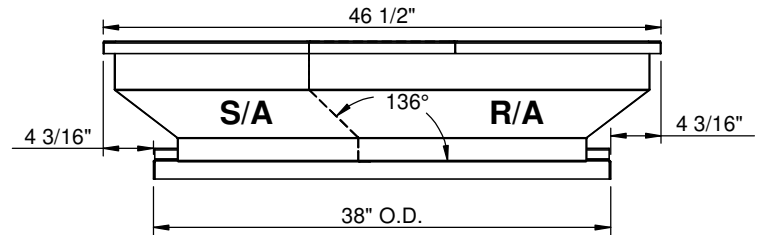
FOR YORK UNITS:  
 P\*\*\*B ALL MODELS



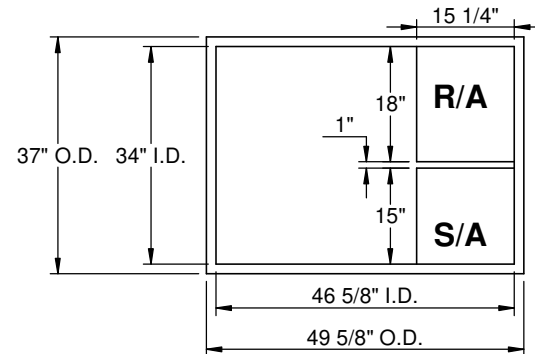
**ISOMETRIC VIEW**



**FRONT VIEW**



**RIGHT VIEW**



**EXISTING CURB**



3847 WABASH DRIVE  
 MIRA LOMA, CA 91752

PHONE (951) 685-1101  
 FAX (619) 872-9799

SUBMITTED TO: \_\_\_\_\_  
 COMPANY: \_\_\_\_\_  
 JOB NAME: \_\_\_\_\_  
 EQUIPMENT: \_\_\_\_\_  
 NOTES: \_\_\_\_\_

FORM NO: \_\_\_\_\_

DATE:  
 8/3/2018

PART NUMBER:  
 CA-LXL-GDM02

REV:  
 -

DRAWN BY:  
 JG