

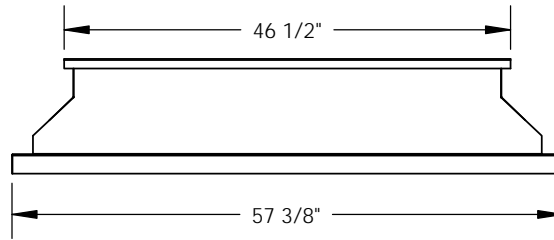
**FEATURES:**

- Gasketing package provided.
- Insulation: 1"-1.5 lb. Density.
- Estimated Weight: 96 Lbs.
- All Galvanized Welded Construction.

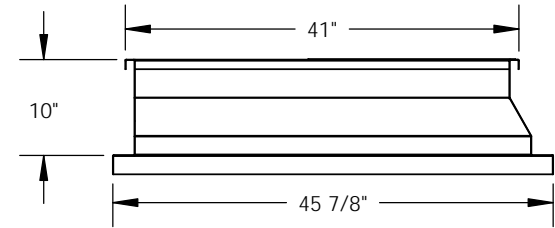
**CURB ADAPTER**

EXISTING LENNOX:  
CHP20, CHP16, CHA16, GCS16 261-413 / 024-036

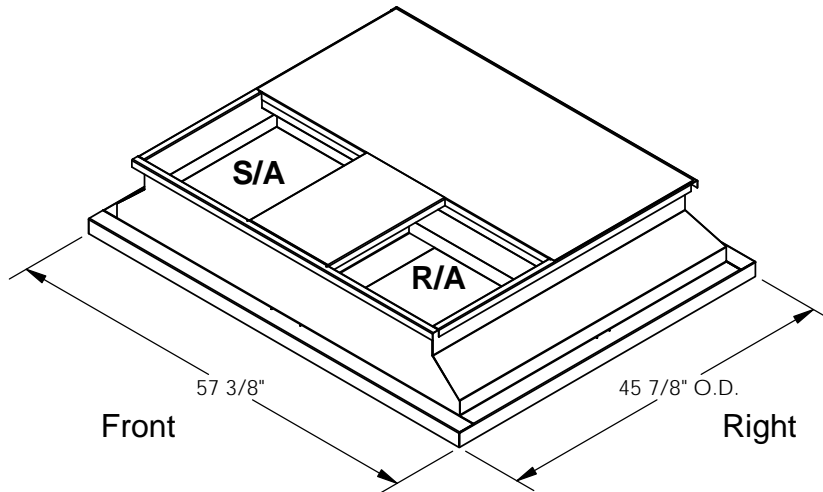
FOR YORK UNITS:  
P\*\*4B ALL MODELS



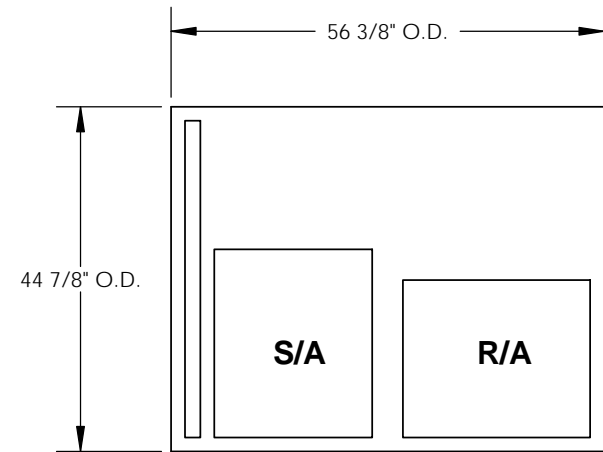
**FRONT VIEW**



**RIGHT VIEW**



**ISOMETRIC VIEW**



**EXISTING CURB**



3847 WABASH DR.  
MIRA LOMA, CA 91725

PHONE (951) 685-1101  
FAX (619) 872-9799

SUBMITTED TO: \_\_\_\_\_  
COMPANY: \_\_\_\_\_  
JOB NAME: \_\_\_\_\_  
EQUIPMENT: \_\_\_\_\_  
NOTES: \_\_\_\_\_

FORM NO: \_\_\_\_\_

DATE:  
6/6/2017

PART NUMBER:  
CA-LXL-LEN04

REV:  
-

DRAWN BY:  
CNG