

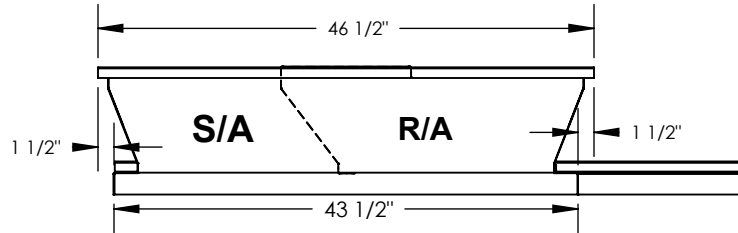
FEATURES:

- Material: Bright Galv.
- Gasketing package provided.
- Insulation: 1"-1.5 lb. Density.
- Estimated Weight: 105 Lbs.
- All Welded Construction.

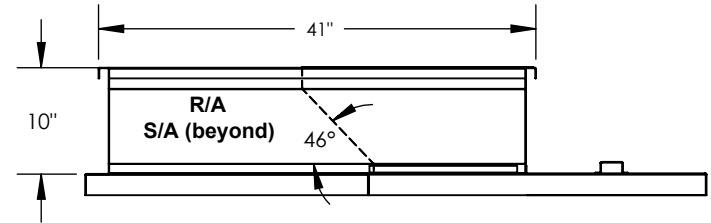
CURB ADAPTER

EXISTING LENNOX:
CHA15, CHP15 261-653 (FACTORY PLATFORM)

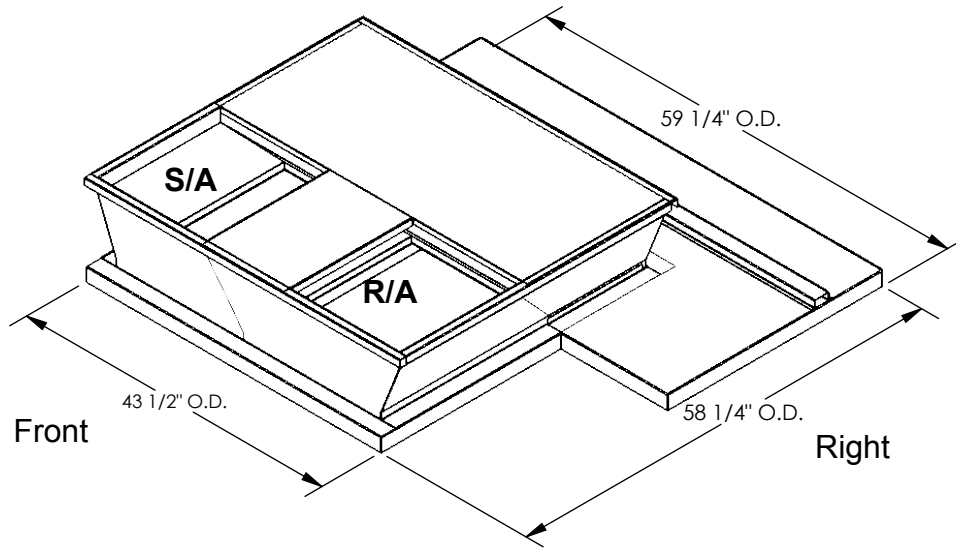
FOR YORK UNITS:
PCG4B, PCE4B 048-060; PHE4B, PHG4B 036-060



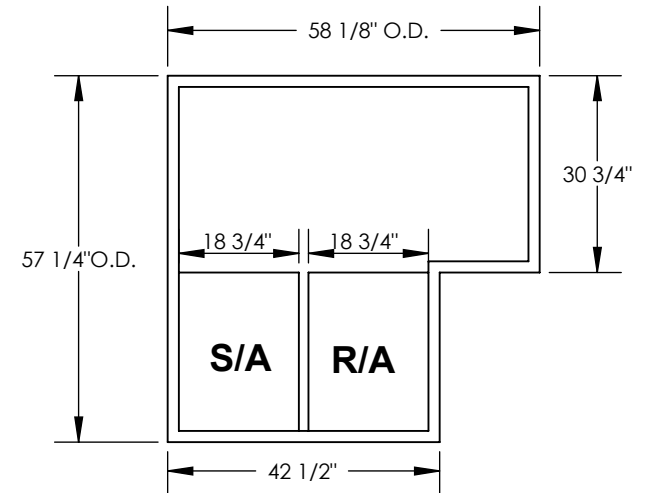
FRONT VIEW



RIGHT VIEW



ISOMETRIC VIEW



EXISTING CURB



3847 WABASH DRIVE
MIRA LOMA, CA 91752

PHONE (951) 685-1101
FAX (619) 872-9799

SUBMITTED TO: _____
COMPANY: _____
JOB NAME: _____
EQUIPMENT: _____
NOTES: _____

FORM NO: _____
-
DATE: 8/23/2016

PART NUMBER: CA-LXL-LEN12
REV: -
DRAWN BY: ALL