

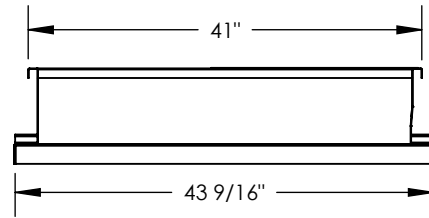
FEATURES:

- Gasketing package provided.
- Insulation: 1"-1.5 lb. Density.
- Estimated Weight: 105 Lbs.
- All Galvanized Welded Construction.

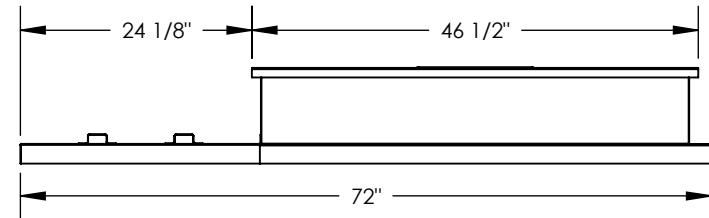
CURB ADAPTER

EXISTING RHEEM:
RLKA, RJKA, UJKA, RKKA, RLMA 036-072

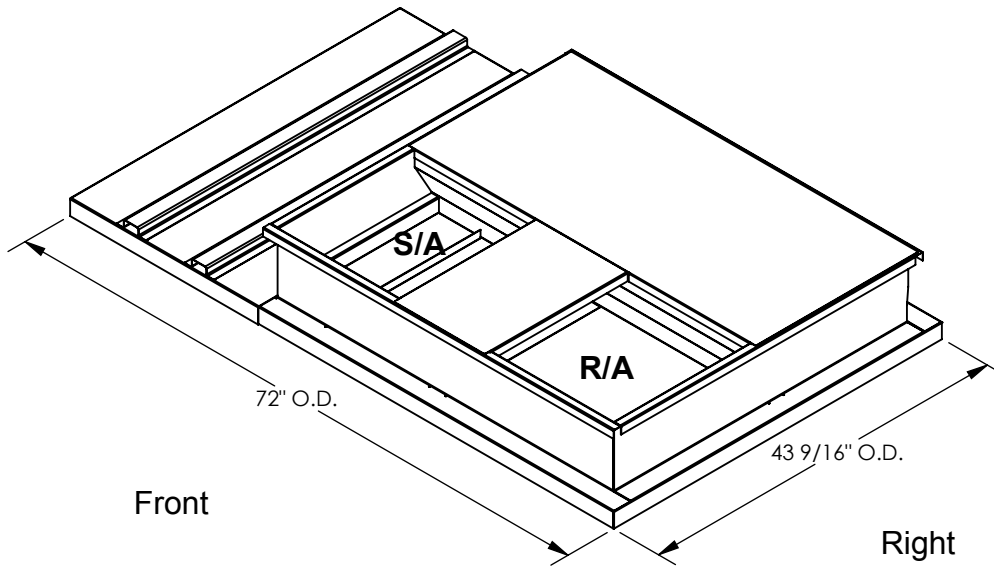
FOR YORK UNITS:
P**4B



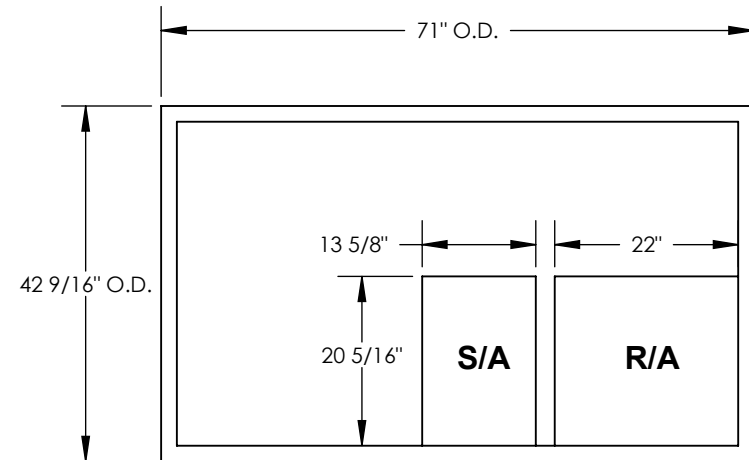
RIGHT VIEW



FRONT VIEW



ISOMETRIC VIEW



EXISTING CURB



3847 WABASH DRIVE
MIRA LOMA, CA 91725

PHONE (951) 685-1101
FAX (619) 872-9799

SUBMITTED TO: _____
COMPANY: _____
JOB NAME: _____
EQUIPMENT: _____
NOTES: _____

FORM NO: _____
DATE: 7/20/2017

PART NUMBER:
CA-LXL-RHM10

REV: -
DRAWN BY: ALL