

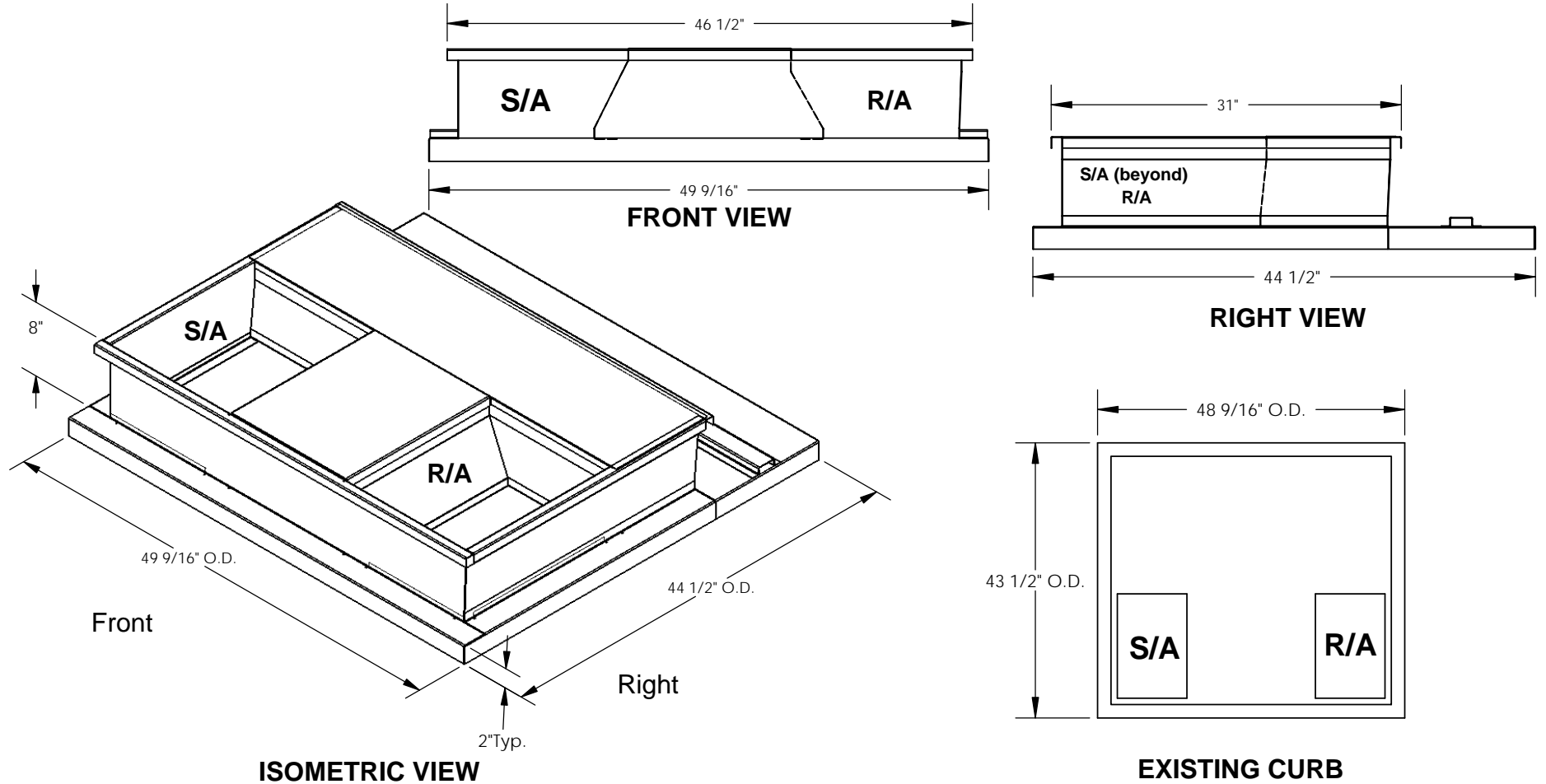
FEATURES:

- Material: Bright Galv.
- Gasketing package provided.
- Insulation: 1"-1.5 lb. Density.
- Estimated Weight: 78 Lbs.
- All Welded Construction.

CURB ADAPTER

EXISTING CARRIER: 48/50 GS,GX,JS,JX,GP,JL Large Cabinet
 EXISTING BRYANT: 582A,601A,701A,583A,702A, 583B, 702B Large Cabinet

FOR YORK UNITS:
 P***A



3847 WABASH DRIVE
 MIRA LOMA, CA 91752

PHONE (951) 685-1101
 FAX (619) 872-9799

SUBMITTED TO: _____
 COMPANY: _____
 JOB NAME: _____
 EQUIPMENT: _____
 NOTES: _____

FORM NO: _____
 DATE: 11/6/2018

PART NUMBER: CA-LXS-CAR03
 REV: M
 DRAWN BY: CNG