

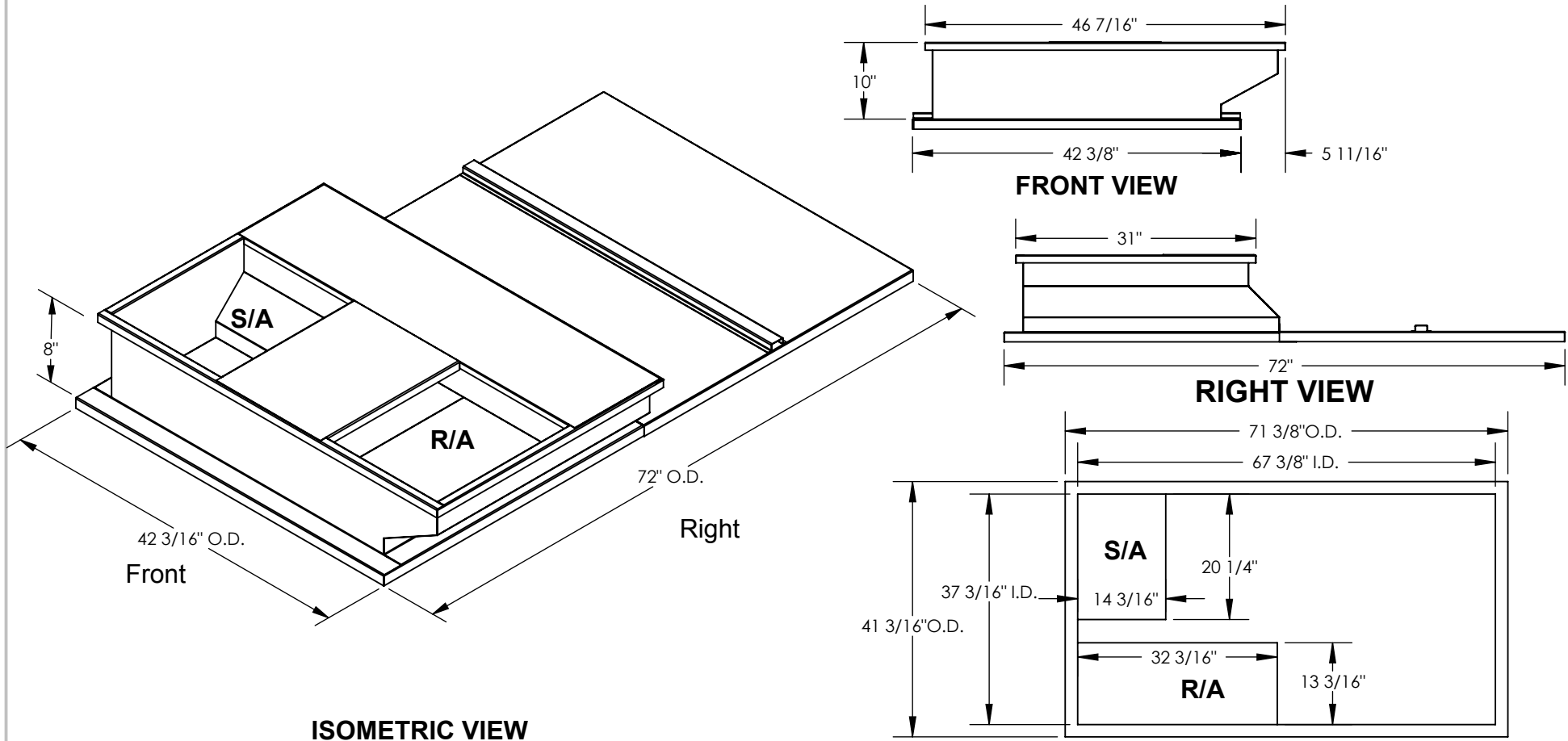
FEATURES:

- Gasketing package provided.
- Insulation: 1"-1.5 lb. Density.
- Estimated Weight: 94 Lbs.
- All Galvanized Welded Construction.

CURB ADAPTER

EXISTING CARRIER: 48/50 TC,TJ, HJ,TF, TM, QJ, LJ, DJ, HC 004-007
 EXISTING BRYANT: 548, 558, 580 C,D,F; 549 B 036-072; 549 C 024-060

FOR YORK UNITS:
 PCG4A, PCE4A 024-042 / PHE4A, PHG4A 024-030



EXISTING CURB



3847 WABASH DRIVE
 MIRA LOMA, CA 91752

PHONE (951) 685-1101
 FAX (619) 872-9799

SUBMITTED TO: _____
 COMPANY: _____
 JOB NAME: _____
 EQUIPMENT: _____
 NOTES: _____

FORM NO: _____
 DATE: 10/11/2016

PART NUMBER:
 CA-LXS-CAR13
 REV: 1
 DRAWN BY:
 ALL