

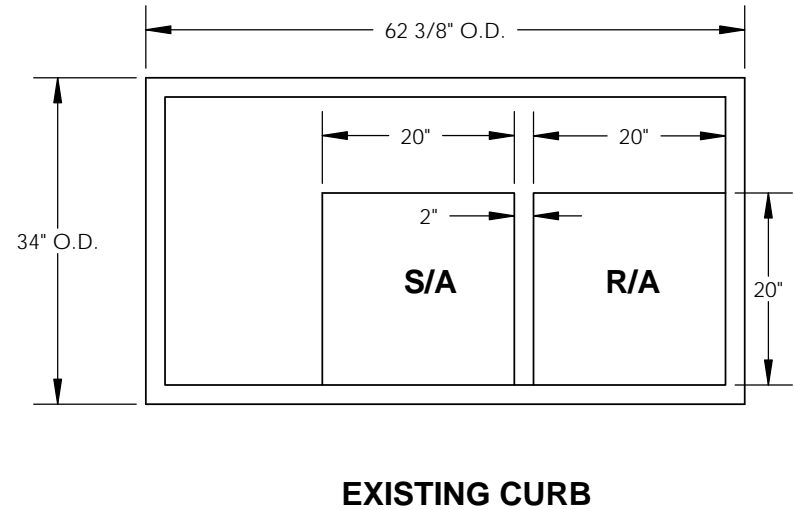
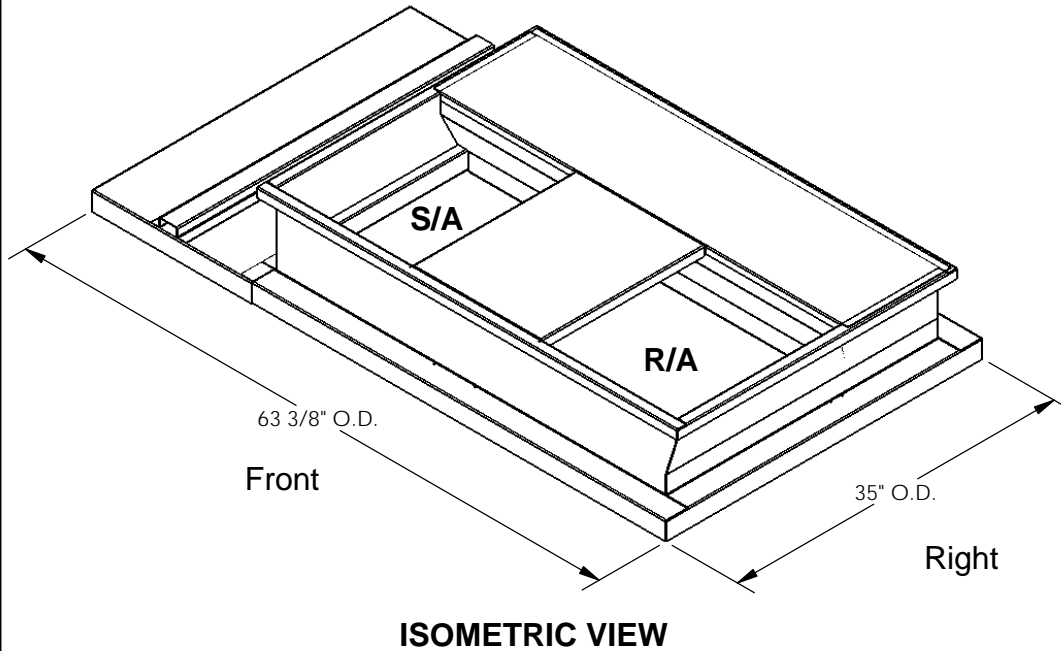
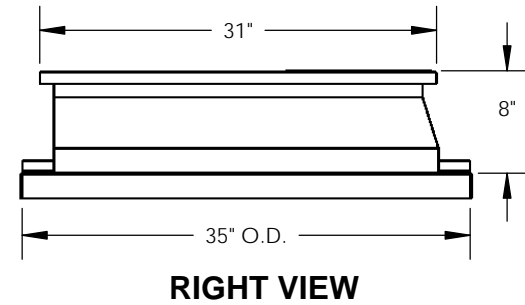
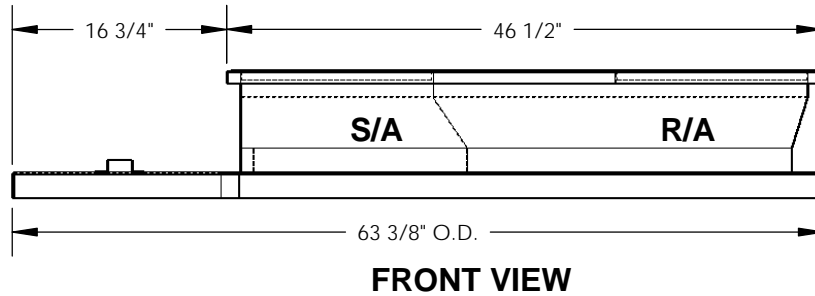
FEATURES:

- Gasketing package provided.
- Insulation: 1"-1.5 lb. Density.
- Estimated Weight: 81 Lbs.
- All Galvanized Welded Construction.

CURB ADAPTER

EXISTING LENNOX:
15GCSX, 13GCSX 024-036

FOR YORK UNITS:
P**4A UNITS



3847 WABASH DRIVE
MIRA LOMA, CA 91752

PHONE (951) 685-1101
FAX (619) 872-9799

SUBMITTED TO: _____
COMPANY: _____
JOB NAME: _____
EQUIPMENT: _____
NOTES: _____

FORM NO: _____

PART NUMBER:
CA-LXS-LEN14

DATE:
6/6/2018

REV:
M

DRAWN BY:
CNG