

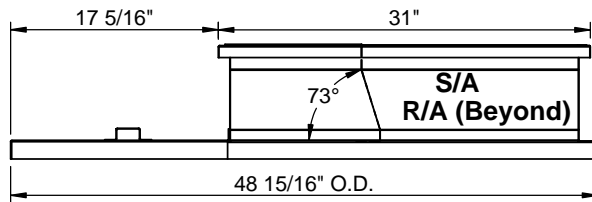
**FEATURES:**

- Gasketing package provided.
- Insulation: 1"-1.5 lb. Density.
- Estimated Weight: 73 Lbs.
- All Galvanized Welded Construction.

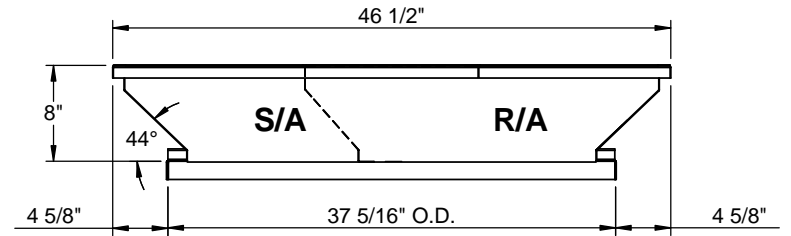
**CURB ADAPTER**

EXISTING RHEEM:  
04E18, 05E18/19, 05N18/19, 04E24, 05E24, 05N24, 06E24, 07E24, 05E25, 05N25, 07E25  
RSNE 018-024

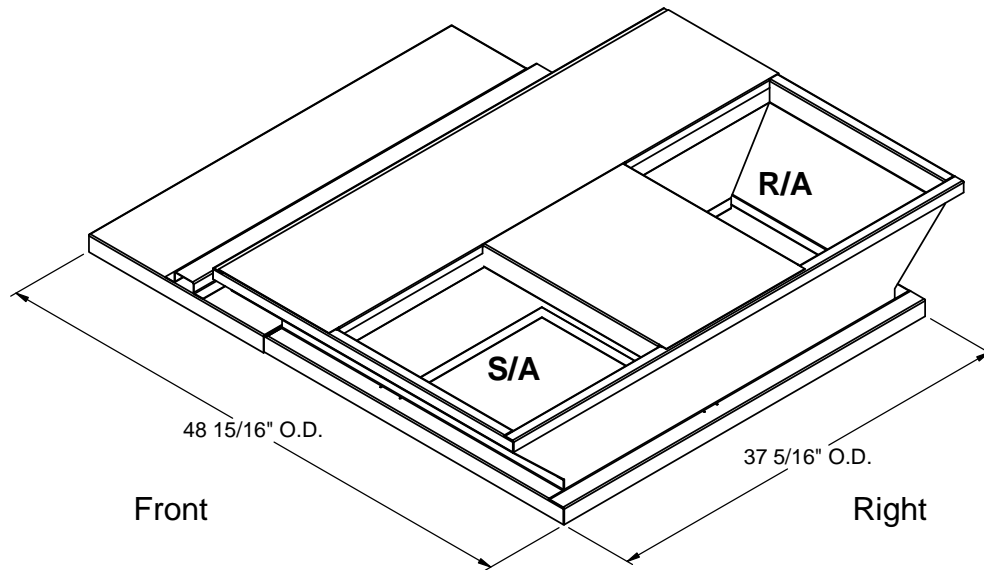
FOR YORK UNITS:  
PCG4A, PCE4A 024- 042/ PHE4A, PHG4A 024- 030



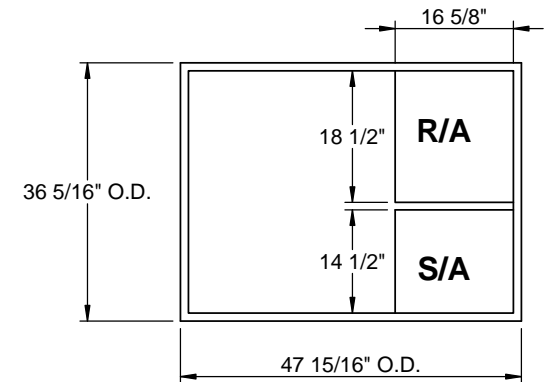
**FRONT VIEW**



**RIGHT VIEW**



**ISOMETRIC VIEW**



**EXISTING CURB**



3847 WABASH DRIVE  
MIRA LOMA, CA 91752

PHONE (951) 685-1101  
FAX (619) 872-9799

SUBMITTED TO: \_\_\_\_\_  
COMPANY: \_\_\_\_\_  
JOB NAME: \_\_\_\_\_  
EQUIPMENT: \_\_\_\_\_  
NOTES: \_\_\_\_\_

FORM NO:

PART NUMBER:  
CA-LXS-RHM12

DATE:  
2/27/2018

REV:  
M

DRAWN BY:  
CNG