

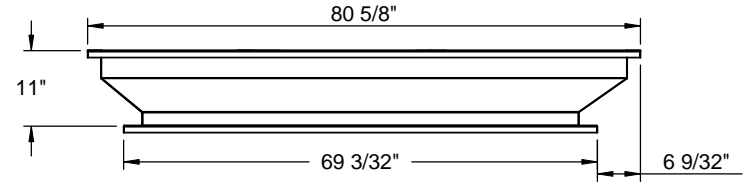
FEATURES:

- Gasketing package provided.
- Insulation: 1"-1.5 lb. Density.
- Estimated Weight: 196 Lbs.
- All Galvanized Welded Construction.

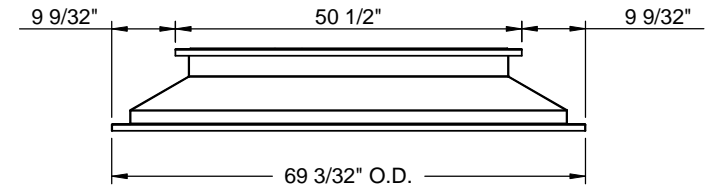
CURB ADAPTER

EXISTING GOODMAN: PCB/PCC/PGB/PGC 090,120, 180
 EXISTING MCQUAY: CUR 075-128

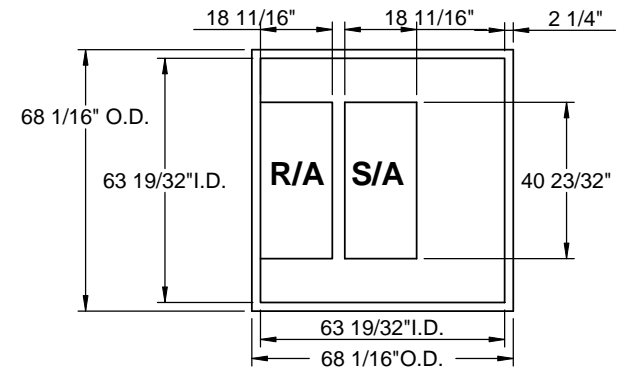
FOR YORK UNITS:
 ZH/ZR/XP/DH/DM/DF/DR/BP 078-150: DJ 150



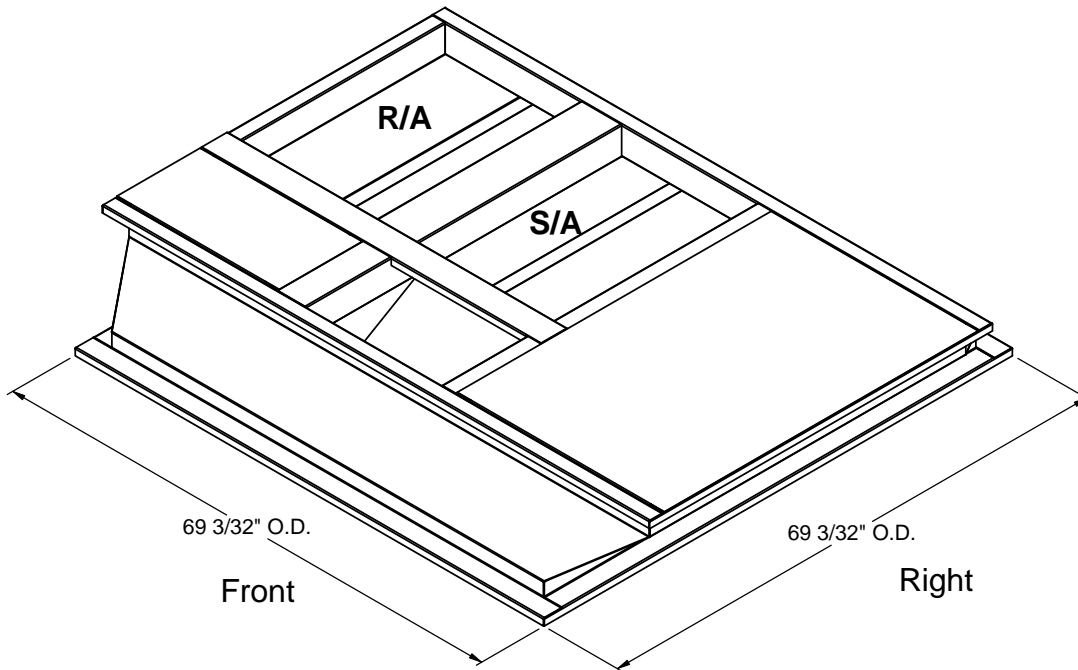
FRONT VIEW



RIGHT VIEW



EXISTING CURB



ISOMETRIC VIEW



3847 WABASH DRIVE
 MIRA LOMA, CA 91752

PHONE (951) 685-1101
 FAX (619) 872-9799

SUBMITTED TO: _____
 COMPANY: _____
 JOB NAME: _____
 EQUIPMENT: _____
 NOTES: _____

FORM NO: _____
 DATE: 5/3/2011

PART NUMBER: CA-PRD7815-GMAN01
 REV: 1
 DRAWN BY: CNG