

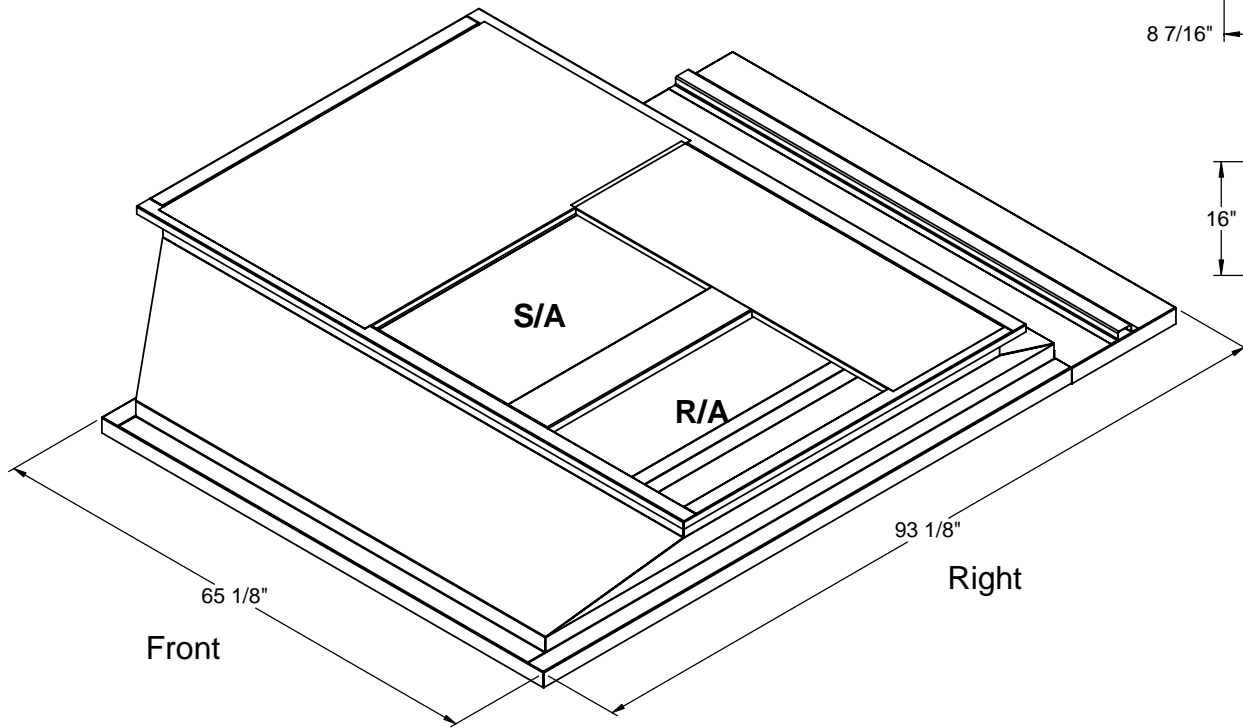
FEATURES:

- Gasketing package provided.
- Insulation: 1"-1.5 lb. Density.
- Estimated Weight: 269 Lbs.
- All Galvanized Welded Construction.

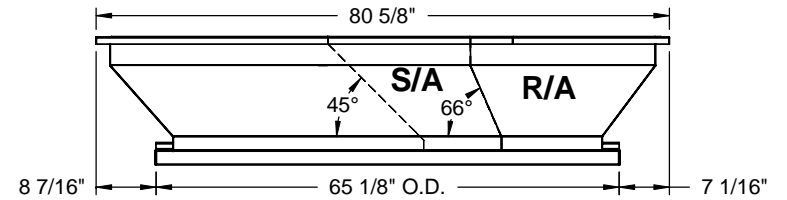
CURB ADAPTER

EXISTING YORK:
D1SS 090/122 SS 090-122

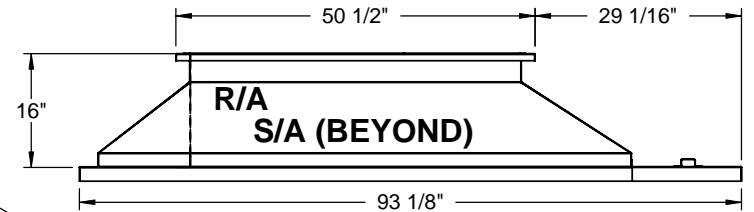
FOR YORK UNITS:
ZH/ZR/XP/DH/DM/DF/DR/BP 078-150: DJ 150



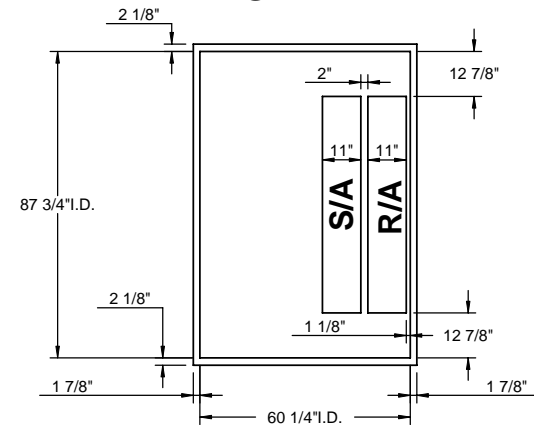
ISOMETRIC VIEW



FRONT VIEW



RIGHT VIEW



EXISTING CURB



1392 EAST PALOMAR STREET
SUITE 403-234
CHULA VISTA, CA 91913

PHONE (619) 498-9246
FAX (619) 872-9799

SUBMITTED TO: _____
COMPANY: _____
JOB NAME: _____
EQUIPMENT: _____
NOTES: _____

FORM NO:
-

PART NUMBER:
CA-PRD7815-YRK04

DATE:
6/29/2010

REV:
2

DRAWN BY:
FMM