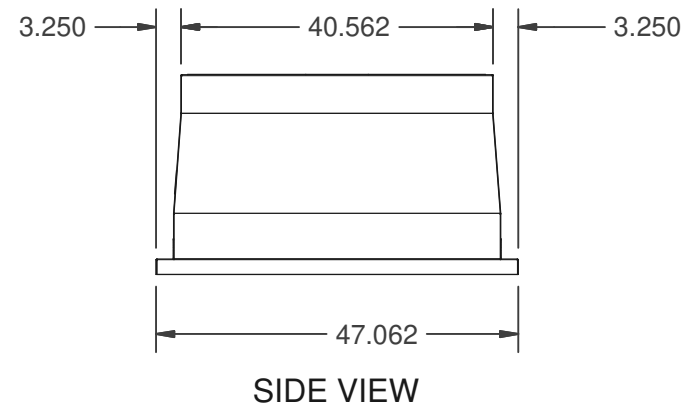
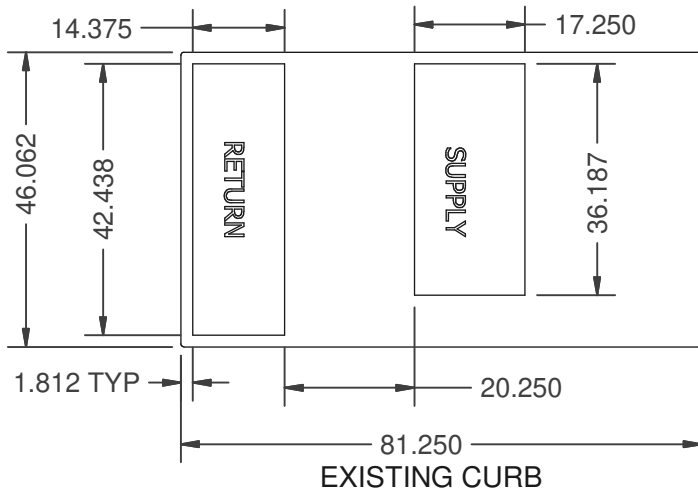
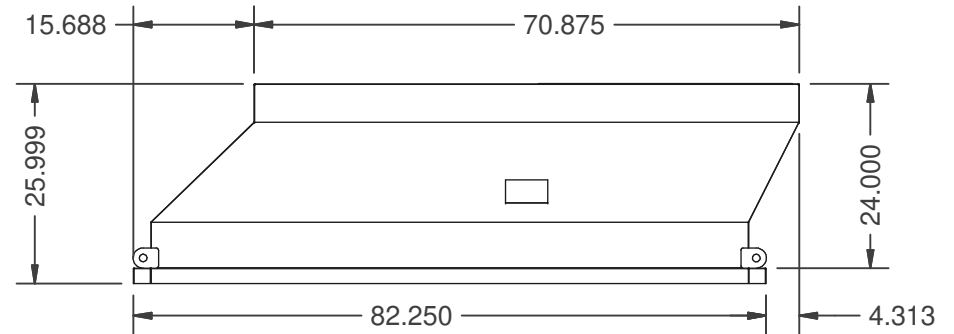
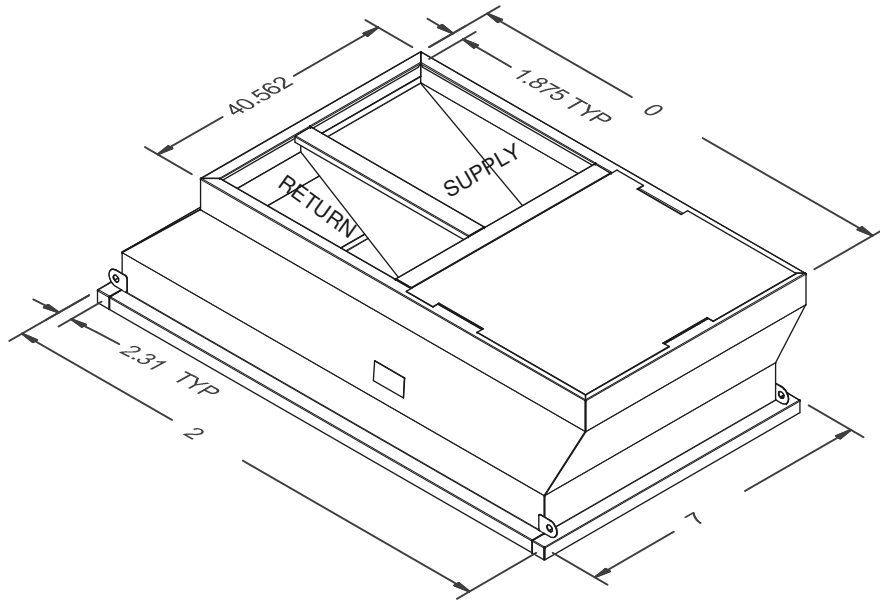


APRVD BY: _____ DATE: _____



RRS ROOFTOP SYSTEMS

1625 DIPLOMAT DR., CARROLLTON, TX 75006-6848
 Phone: (972) 247-7447 (800) 552-4822
 Fax: (972) 243-0940

NOTES:

1. Fully welded G90 galvanized construction
2. Supply and Return plenums fully insulated
3. Gaskets shipped with adapter
4. RRS reserves the right to change layout without notification.
5. If a curb adapter is needed in a different configuration, notify RRS prior to placing an order.
6. Curb Adapters up to 12.5 tons designed for less than .35" Total Static Pressure
7. Curb Adapters from 15-25 tons designed for less than .625" Total Static Pressure

CURB ADAPTOR FOR: YORK
 OLD UNIT: YCD 075-090
 NEW UNIT: CORE SMALL CABINET

- Verify existing curb dimensions
- Verify supply and return ducts.
- Document variations
- Contact RRS for all concerns and drawing verification.

UNIT NO:	30-290-2721
DUCT TYPE:	NON-CONCENTRIC
WEIGHT:	201 lbs
Static Pressure:	NA
FORM#:	302721
DATE:	9/25/2018
SUPERSEDES:	DATE