

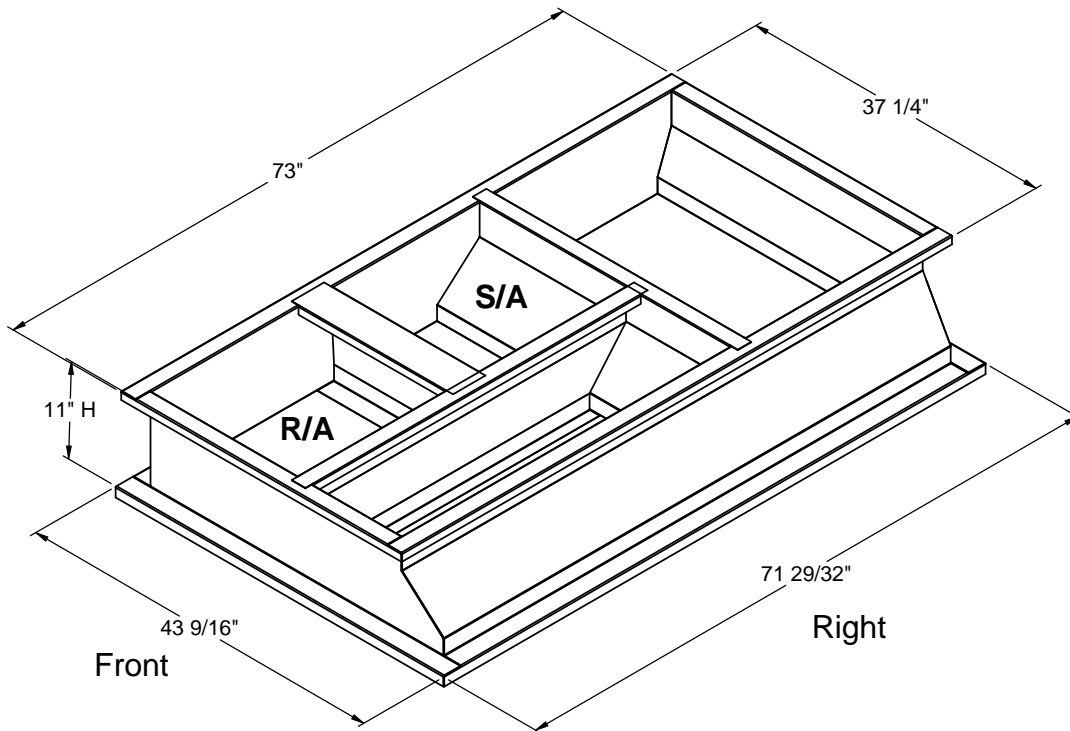
FEATURES:

- Gasketing package provided.
- Insulation: 1"-1.5 lb. Density.
- Estimated Weight: 108 Lbs.
- All Galvanized Welded Construction.

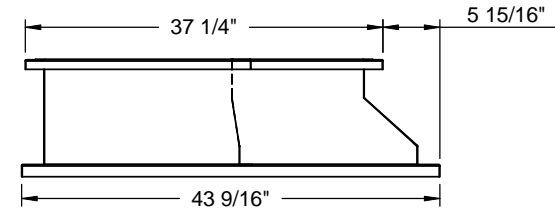
CURB ADAPTER

EXISTING RHEEM:
 RKKA, RLKA 036-072
 RKNA, RKNL, RKPL, RJKA, RJNA, RJNL, RJPL, RLNA, RLNL, RLPL 036-060

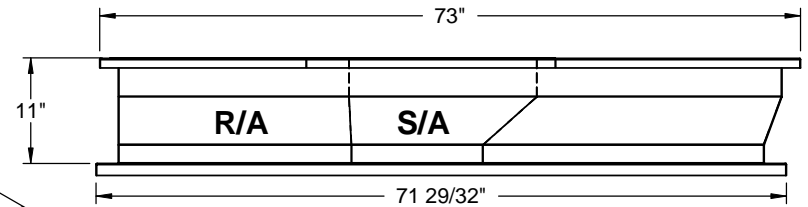
FOR YORK UNITS:
 DM/DR/DCE/DCG/BP 036-072:
 ZJ/XP/DY/DJ/DH/DHE/DHG/BQ/BCH/036-060: DF 072



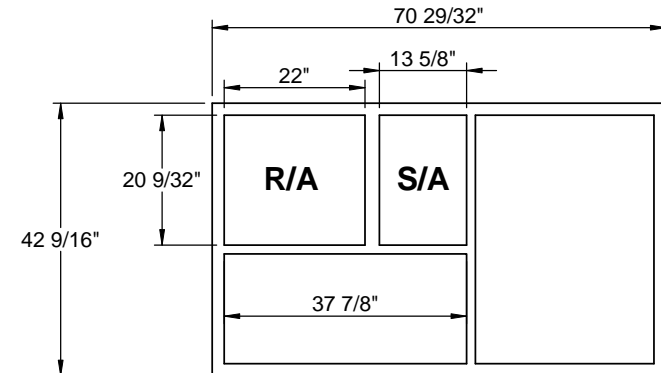
ISOMETRIC VIEW



FRONT VIEW



RIGHT VIEW



EXISTING CURB



3847 WABASH DRIVE
 MIRA LOMA, CA 91752

PHONE (951) 685-1101
 FAX (619) 872-9799

SUBMITTED TO: _____
 COMPANY: _____
 JOB NAME: _____
 EQUIPMENT: _____
 NOTES: _____

FORM NO:
 -

PART NUMBER:
 CA-SUN3672-RHM02

DATE:
 1/28/2015

REV:
 3

DRAWN BY:
 CNG