

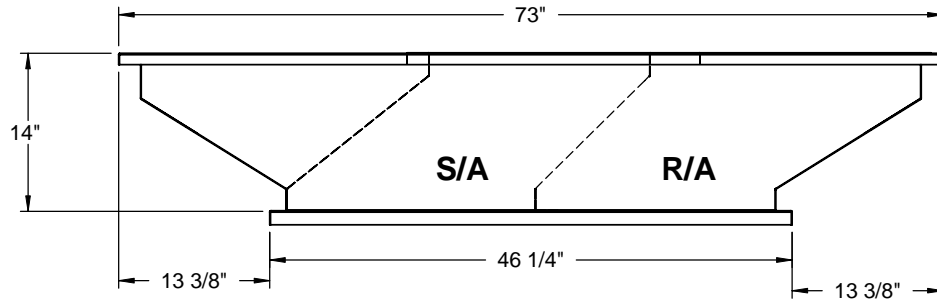
FEATURES:

- Gasketing package provided.
- Insulation: 1"-1.5 lb. Density.
- Estimated Weight: 120 Lbs.
- All Galvanized Welded Construction.

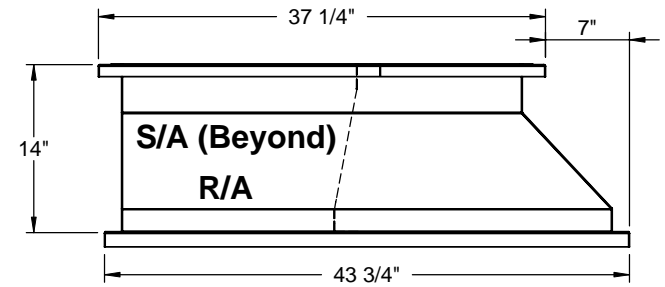
CURB ADAPTER

EXISTING YORK:
 DEB/BHH/BHA 018-060: DNZ/DEZ/DNP/DEM/BHZ/BHP 024-060: DEX 024-048:
 DNH/DEH 030-060: DNA 036-060: DNY/BHX 024, 036, 048, 060: DNX 024, 036, 048: DEY 060

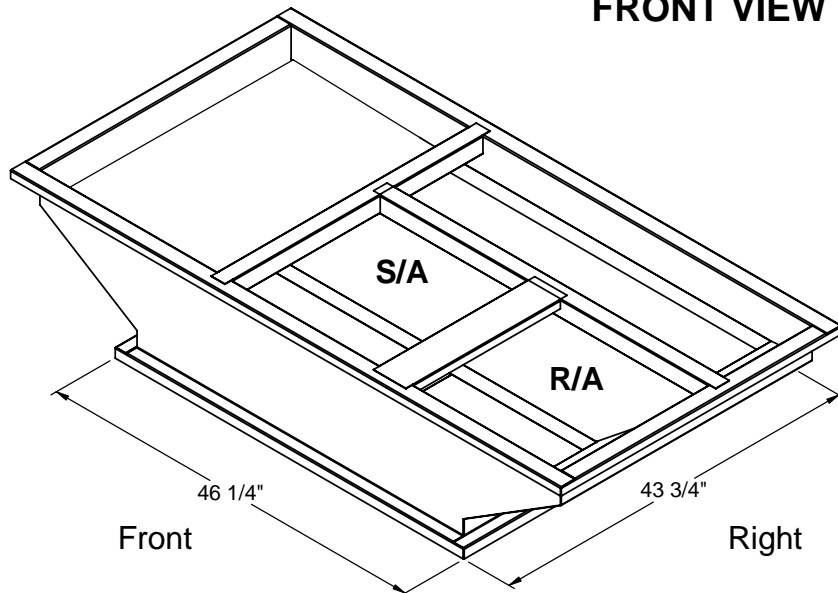
FOR YORK UNITS:
 ZJ/XP/DY/DJ/DH/DHE/DHG/BQ/BCH 036-060: DF 072



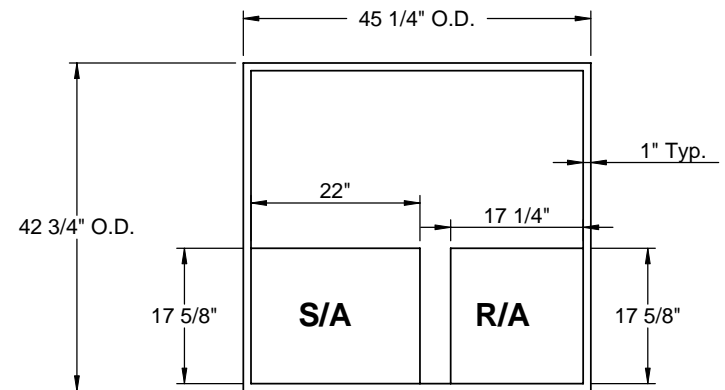
FRONT VIEW



RIGHT VIEW



ISOMETRIC VIEW



EXISTING CURB



1392 EAST PALOMAR STREET
 SUITE 403-234
 CHULA VISTA, CA 91913

PHONE (619) 498-9246
 FAX (619) 872-9799

SUBMITTED TO: _____
 COMPANY: _____
 JOB NAME: _____
 EQUIPMENT: _____
 NOTES: _____

FORM NO: _____
 -
 DATE: 6/10/2009

PART NUMBER: CA-SUN3672-YRK05
 REV: 1
 DRAWN BY: MER