

**FEATURES**

- Roof curb sides and ends are 16 ga. galvanized steel.
- Perimeter upper frame supplied with pre-punch assembly holes.
- Assembly hardware provided for field assembly.
- Gasketing package provided.
- Heat treated wood nailer provided.

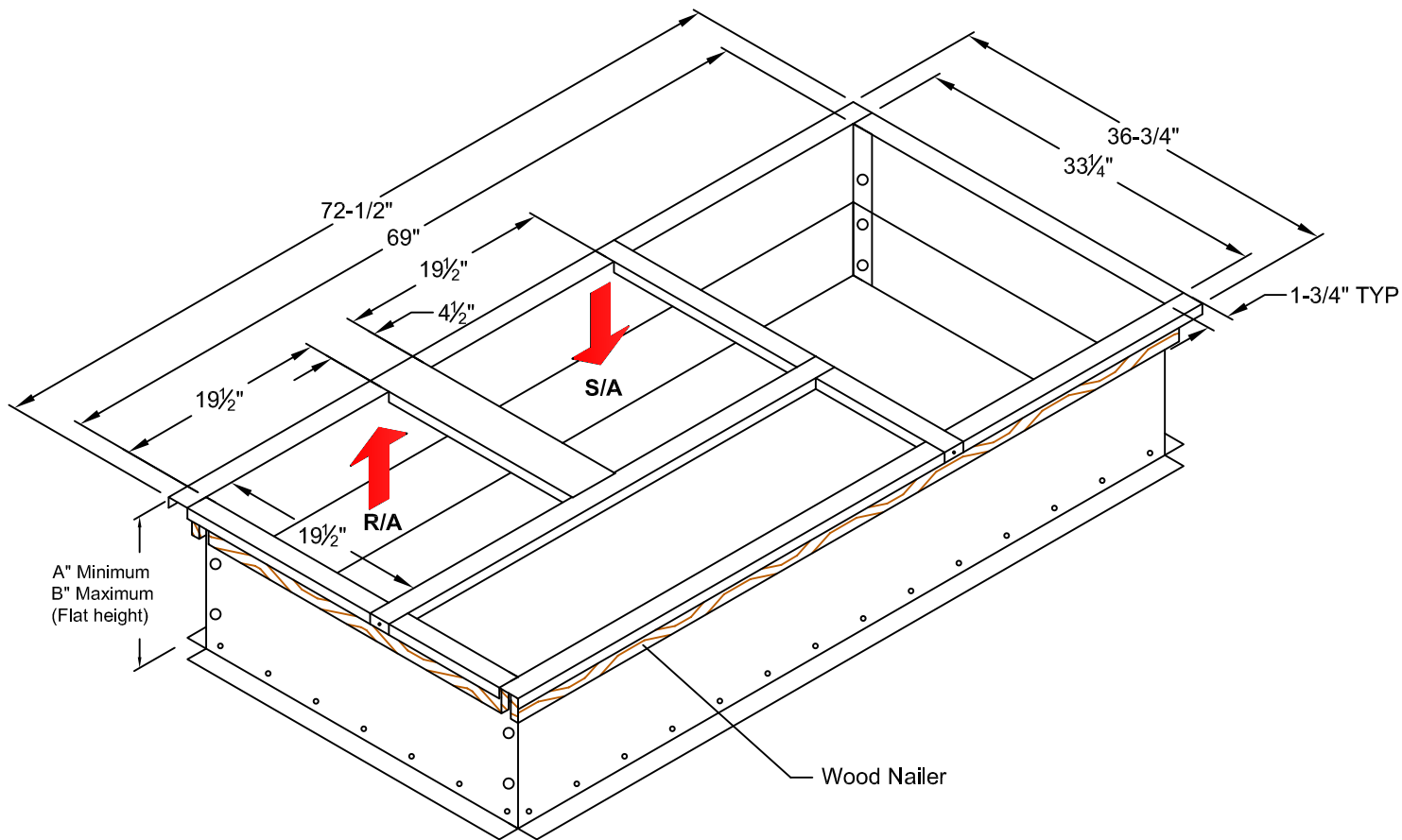
**NOTES**

- Ductwork must be 3/4" smaller than duct openings shown.
- Adjust up to 1" in 12" pitch in either direction.
- Attach ductwork to roof curb. Flanges of duct rest on top of curb. Support ductwork below the curb.

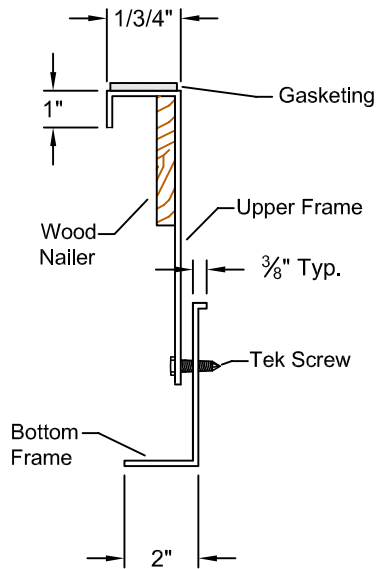
**KNOCK-DOWN ADJUSTABLE PITCH / ADJUSTABLE HEIGHT CURBS FOR YORK UNITS**

**ZR, XN, XP, WN 036-060; ZE, ZF, KE 036-072**

ProVent P/N	A	B	WEIGHT
CBAKDSUN367208	8"	12"	78 Lbs
CBAKDSUN367211	11"	15"	90 Lbs
CBAKDSUN367214	14"	18"	102 Lbs



**Detail**



3847 WABASH DR.  
MIRA LOMA, CA 91752  
  
PHONE (951) 685-1101  
FAX (619) 872-9799

SUBMITTED TO: \_\_\_\_\_  
COMPANY: \_\_\_\_\_  
JOB NAME: \_\_\_\_\_  
EQUIPMENT: \_\_\_\_\_  
NOTES: \_\_\_\_\_

FORM NO:  
CBAKD-102

DATE:  
1/15/25

REV:  
2

PART NUMBER:  
CBAKDSUN3672 SERIES

DRAWN BY:  
CNG