

FEATURES

- Roof curb sides and ends are 18 ga. galvanized steel.
- Perimeter upper frame supplied with pre-punch assembly holes.
- Assembly hardware provided for field assembly.
- Gasketing package provided.
- Heat treated wood nailer provided.
- Insulated deck pans provided.

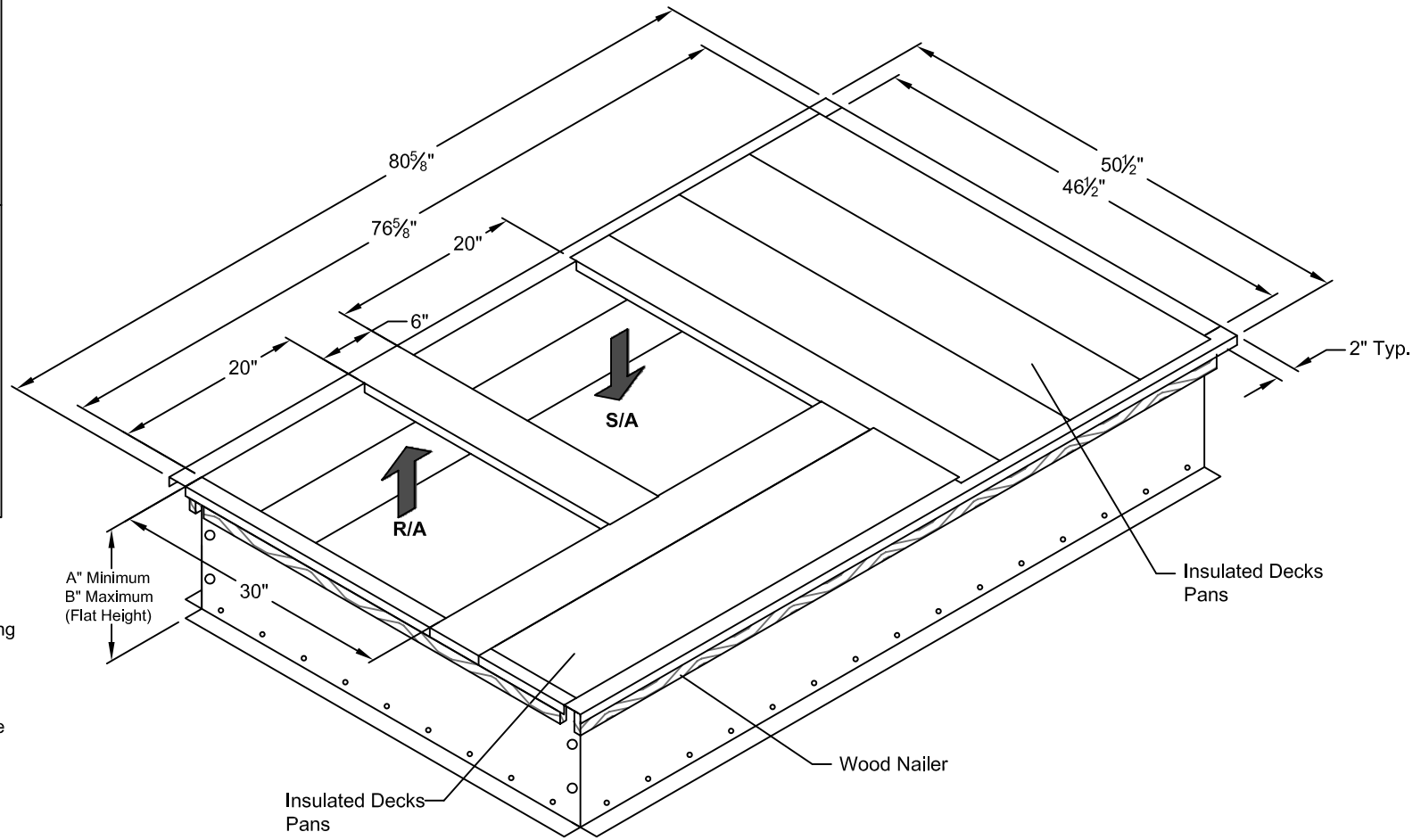
NOTES

- Ductwork must be 3/4" smaller than duct openings shown.
- Adjust up to 1" in 12" pitch in either direction.
- Attach ductwork to roof curb. Flanges of duct rest on top of curb. Support ductwork below the curb.
- Thru the curbs utilities are available. Contact your York distributor or Provent directly.

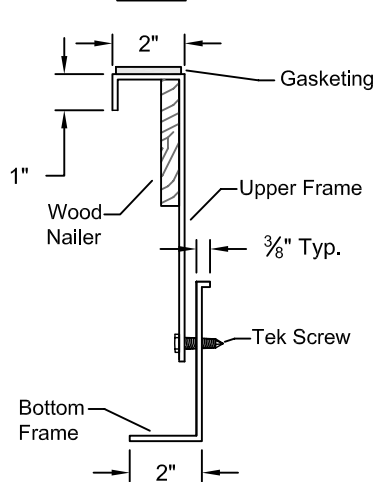
KNOCK-DOWN ADJUSTABLE PITCH / ADJUSTABLE HEIGHT CURBS FOR YORK UNITS

ZH/ZR/XP/DH/DM/DF/DR/BP 078-150: DJ 150

| ProVent P/N | A | B | WEIGHT |
|----------------|-----|-----|---------|
| CBAKDPRD781508 | 8" | 12" | 155 Lbs |
| CBAKDPRD781511 | 11" | 15" | 169 Lbs |
| CBAKDPRD781514 | 14" | 18" | 184 Lbs |



Detail



1392 E. PALOMAR ST., # 403-234
 CHULA VISTA, CA 91913
 PHONE (619) 498-9246
 FAX (619) 498-9247

SUBMITTED TO: _____
 COMPANY: _____
 JOB NAME: _____
 EQUIPMENT: _____
 NOTES: _____

FORM NO:
 CBAKD-103
 DATE:
 01/15/09

PART NUMBER:
 CBAKDPRD7815 SERIES
 DRAWN BY:
 FMM