

**FEATURES**

- Roof curbs sides and ends are 16 ga.
- Fully welded construction.
- Gasketing package provided.
- Heat treated wood nailer provided.
- insulated deck pans provided.
- Pitched curbs and taller curbs are available.

**NOTES**

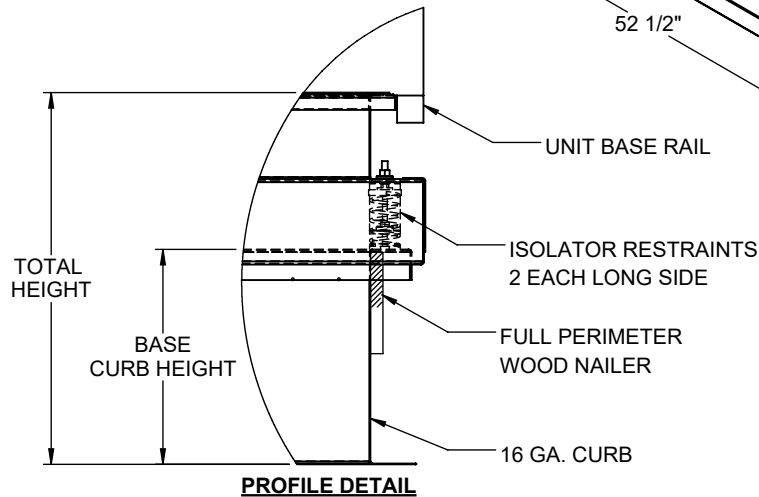
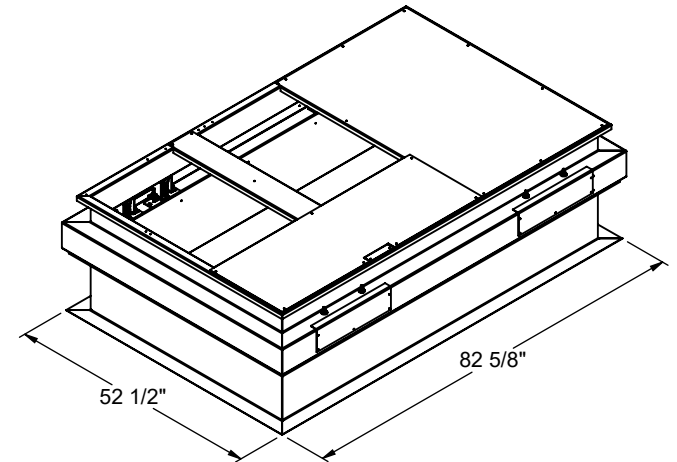
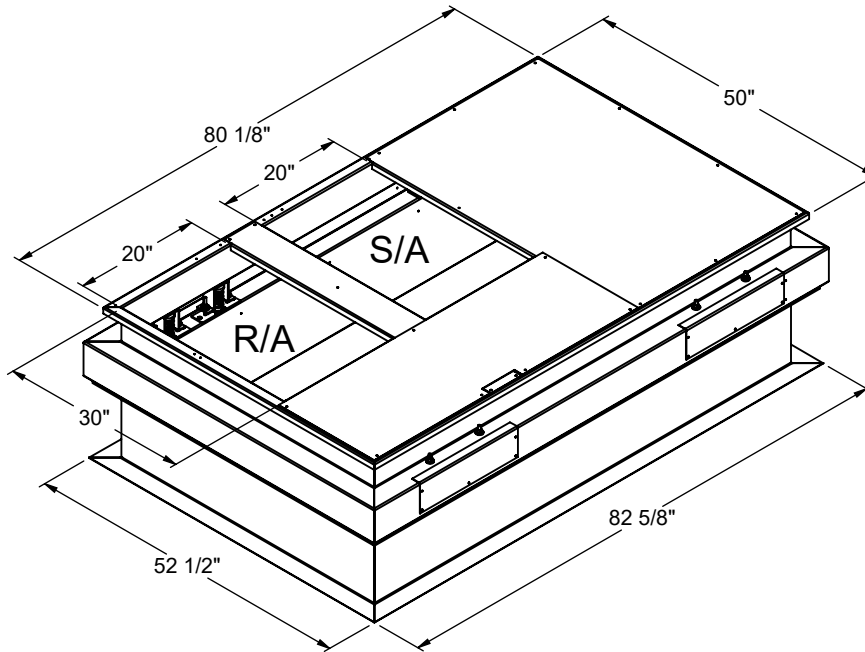
- Attach ductwork to roof curb. Flanges of duct rest on top of the curb, Support ductwork below the curb.
- Thru the curb utilities are available. Contact you York distributor or Provent directly.

**VIBRATION ISOLATION ROOF CURBS  
YORK UNITS**

ZH/ ZR/ XP/ DH/ DM/ BP/ DR 08-120; DF 078-120; R 090-150; J 150

PROVENT P/N	BASE HEIGHT	TOTAL HEIGHT	EST. WEIGHT
CBISPRD7815**18	08"	18"	220 Lbs.
CBISPRD7815**21	11"	21"	250 Lbs.
CBISPRD7815**24	14"	24"	280 Lbs.

**\*\*Note:** Spring configuration must be added to part number at time of order



3847 WABASH DRIVE  
MIRA LOMA, CA 91752  
PHONE (951) 685-1101  
FAX (619) 872-9799

SUBMITTED TO: \_\_\_\_\_  
COMPANY: \_\_\_\_\_  
JOB NAME: \_\_\_\_\_  
EQUIPMENT: \_\_\_\_\_  
NOTES: \_\_\_\_\_

FORM NO:  
CBIS-103  
DATE:  
7/9/2021

PART NUMBER:  
CBISPRD7815  
REV:  
-  
DRAWN BY:  
ALL