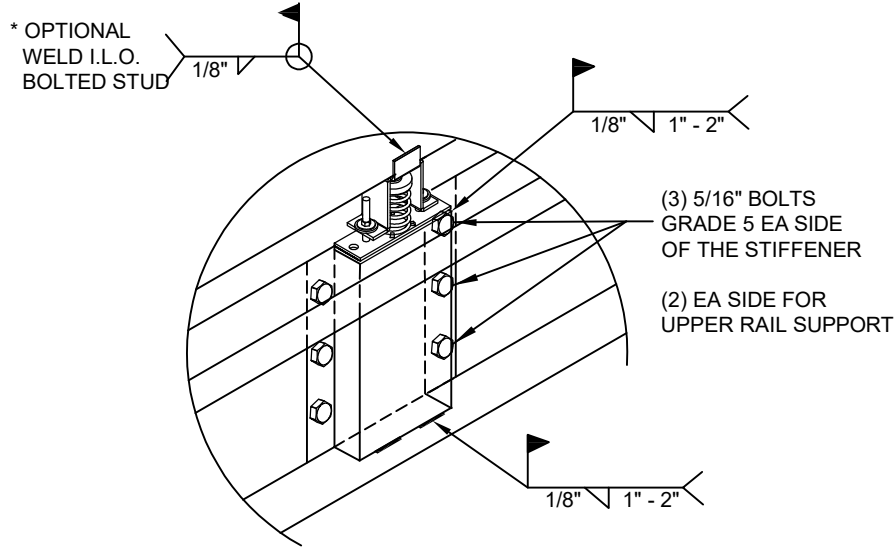


WELDMENT AND BOLTING DETAIL

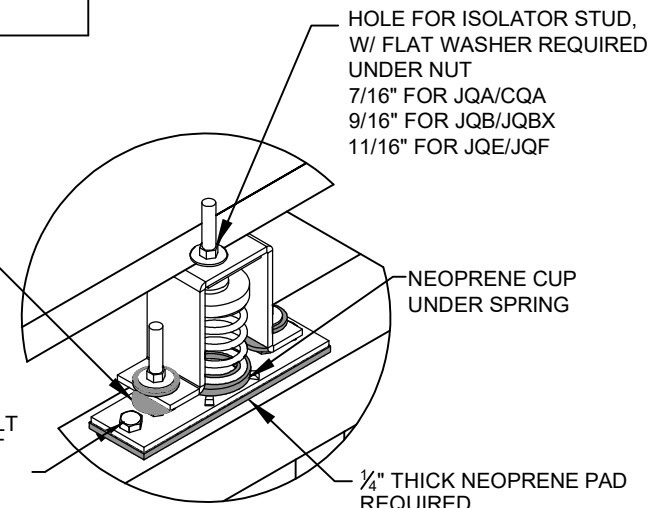


BASE CURB SUPPORT

OPTIONAL BOTTOM BUMPER FOR: ISCALSLU180 ISCALSLM1830

FOR JQA/CQA:
 $\frac{3}{16}$ " \varnothing HOLE USE $\frac{1}{2}$ " \varnothing A307 BOLT WITH FLAT WASHER AND NUT

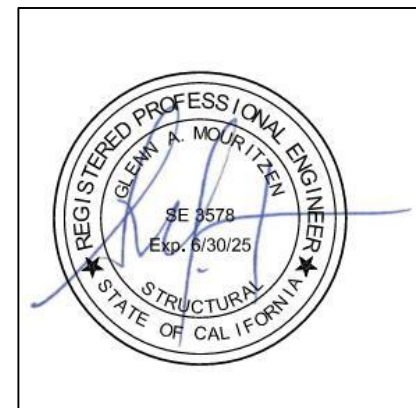
FOR JQB, JQBX, JQE, JQF:
 $\frac{1}{16}$ " \varnothing HOLE USE $\frac{5}{8}$ " \varnothing A307 BOLT WITH FLAT WASHER AND NUT



FOR BOLT ON ISOLATORS

Note: * - INDICATES WELD REQUIRED I.L.O. BOLTED STUD FOR THE FOLLOWING CURBS:

- LXL (CBISC-02)
- PRD3715 (CBISC-04)
- SAV1518 (CBISC-12)
- SAV2025 (CBISC-13)
- SAV28 (CBISC-14)



3847 WABASH DRIVE
 MIRA LOMA, CA 91725

PHONE (951) 685-1101
 FAX (619) 872-9799

SUBMITTED TO: _____
 COMPANY: _____
 JOB NAME: _____
 EQUIPMENT: _____
 NOTES: _____

FORM NO:
 CB-61

DATE:
 08/14/23

REV:
 2

DRAWN BY:
 FMM